



# SML NAVIS

NINGBO SMANL ELECTRICAL APPLIANCE Co., LTD.

地址：宁波余姚市低塘工业园新堰东路77号  
ADD: NO.77 XINYAN EAST ROAD, DITANG STREET, YUYAO, CHINA  
Tel: 0086-574-62245878, 62245788 Fax: 0086-574-62242358

[Http://www.nb-sml.com](http://www.nb-sml.com)

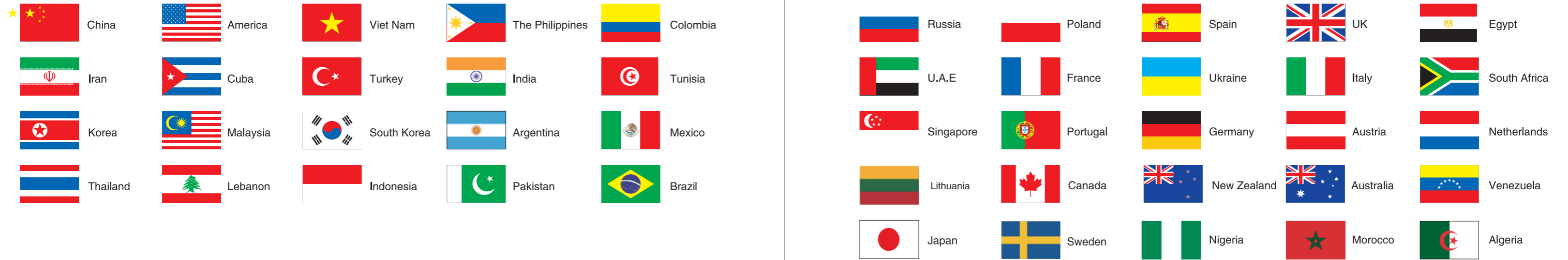
E-mail: [sales10@nb-sml.com](mailto:sales10@nb-sml.com)



SMANL 2024.8

# SML

# Commercial Network



<b>Dehumidifying &amp; Drying</b> 干燥除湿系列	<b>01-10</b>
<b>Feeding &amp; Conveying</b> 物料输送系列	<b>11-20</b>
<b>Cooling &amp; Heating</b> 冷热温控系列	<b>21-28</b>
<b>Granulating &amp; Recycling</b> 粉碎回收系列	<b>29-32</b>
<b>Dosing &amp; Mixing</b> 物料混合系列	<b>35-37</b>
<b>Optional Spare Parts series</b> 选购附件系列	<b>38</b>



## Satisfying Customer

### 承诺顾客满意

The goal of smanl is to always satisfy the customer.  
始于顾客要求，终于顾客要求。顾客满意是企业永远的追求。

## Management Participation

### 参与经营管理

Smanl persists on training and promotion to enhance the quality, participation and cost consciousness, letting every staff member dedicate his wisdom to every process of smanl's products.

通过持续培训和宣传，提高员工的质量意识、参与意识和成本意识，使全公司的员工为产品的每个细节贡献自己的才智。

## Lead The Plastics Auxiliary Equipments

### 引领注塑辅机

Meet the demands of users at home and abroad,  
Manufacturing High-quality of Auxiliary equipments matching with Injection molding machine.  
满足国内外用户需求，制造精品注塑辅机。

ISO9001:2000   

## Brief Description

NINGBO SMANL MACHINE CO., LTD. is located in YuYao which is at the side of Hangzhou Bay cross-sea bridge and next to 329 national Road, covering an area of 18000 Square metres, being next to the plastic machine production base Yuyao city, The transportation is very convenient.

The company follows the management philosophy of satisfying the domestic and abroad customer's request, makes exquisite auxiliary equipments, expands continuously and embodies new design constantly, pursuits the perfect of the product's structure and external appearance, quality and cost. The company imports western advanced technology and interuses SMANL own style. Make the unique machine, which has won good evaluation from customers. The expert technicians make SMANL young and vital. Advanced equipments support SMANL steady development. SMANL feature of modern management system ensures company exuberant vitality.

SMANL brand auxiliary equipments such as ROBOT, CRUSHER, HOPPER DRYER, AUTOLOADER, INDUSTRY CHILLER, MOLD TEMP. CONTROLLER, PLASTIC DEHUMIDIFYING DRYER and MIXER are infused with SMANL Person's thought and soul, they have already headed for the whole country and rushed towards Europe America and middle East area. Wherever they are, they are widely praised and won good evaluation from the vast majority of customers.

"The way to get profound knowledge and grand morality is so far that we will search them from the paradise to the hell wholeheartedly".

The SMANL person will be brave to investigate and diligently innovate, the SMANL brand will go farther and farther, reach throughout the world.

宁波斯曼尔电器有限公司位于杭州湾跨海大桥旁329国道余姚境内，占地18000平方米，紧邻中国著名的塑机生产基地——宁波，交通十分便利。

公司在“满足国内外用户需求，制造精品注塑辅机”经营理念的指导下，不断创新、源源不断地融进全新的设计理念，从产品的结构到外观，品质到成本，追求至善至美；公司积极引进欧美国家的先进技术，再加入自身的设计风格，推出的每一项新产品均能独树一帜，受到国内外用户的一致好评；因为拥有专业优秀的技术人才，公司总是那么的年轻，有活力；先进的加工设备，为公司的稳步发展提供了强有力的动力；具有斯曼尔特色的现代化管理机制，保证了斯曼尔企业鲜活的生命力。

“斯曼尔”牌机械手、粉碎机、料斗干燥机、自动填料机、工业冷水机、模具控温机、塑料除湿机及拌料机等系列塑机辅机，注入了斯曼尔人的思想与灵魂，他们已经走向全国各地，奔向欧美各国和中东地区，不论走到哪里，他们都受到了广大用户的欢迎与好评。

“路漫漫其修远兮，吾将上下而求索”……

斯曼尔人会勇于探索，努力创新，斯曼尔品牌将越走越远，到达世界各地……

# 干燥机 Hopper Dryer

SHD - AAA - M

选配件 Optional Accessory  
料筒容量 Hopper Capacity  
干燥机 Hopper Dryer



## 性能特点 Performance characteristic

- 加热桶采用不锈钢制作，保证原料不被污染并且清理更容易；
- 不锈钢网板散风装置，使热风更均匀地吹向原料，整个桶内温度均匀，原料不易结块；
- 加热桶与料斗铰链连接结构，打开方便省力，换料与清理更容易；
- 开门式的磁力底座，取出磁力架清理铁屑等方便快捷；
- 可选配24H定时启动装置，减少上班时的预热时间，提高效率；
- 可选配热风回收装置，降低能耗；
- 可选配集尘器，保证粉尘不污染车间。

- The heating barrel is made from the stainless steel to ensure that the material is not polluted and easier to be cleaned.
- The air dispersion device of the stainless steel net plate enables the heat air to evenly blow the material. The temperature is even in the barrel to prevent material lumping.
- There is a hinge connection structure between the heating barrel and the hopper, which facilitates opening, reloading and cleaning.
- An open-door type magnetic base, which is convenient and easy to take out the magnet for cleaning the scrap iron.
- The 24hours Timer startup device of any time can be matched to reduce pre-heating time on duty and improve efficiency.
- The hot air recycler device can be matched to reduce energy consumption.
- The Hopper dust collector can be matched to prevent the dust into the workshop.

## 规格表 Specifications

型号 Model	SHD-15	SHD-25	SHD-50	SHD-75	SHD-100	SHD-150	SHD-200
料桶容量(kg) Capacity	15	25	50	75	100	150	200
干燥电热(kW) Heater Power	2.7	3.2	4.2	5	7	9	12
送风机(W) Blower Power	135	120	140	140	180	180	340
L (mm)	660	725	870	930	1070	1070	1240
W (mm)	360	405	490	550	610	650	770
H (mm)	770	970	1140	1250	1360	1560	1660
B (mm)	215	240	317	313	363	352	415
C (mm)	350	407	500	610	670	820	820
K (mm)	108	150	158	158	178	178	230
K (mm)	108	150	158	158	178	178	230
A (mm)	107	182	184	184	186	186	218
适用成型机射出货量(g) Adaptable Injectioner	30-60	30-60	125-500	500-1000	1000-1500	1500-2000	2000-2500
重量 (kg) Weight	28	29	35	43	62	66	96

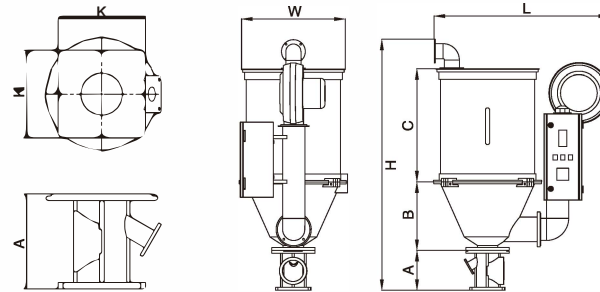
型号 Model	SHD-250	SHD-300	SHD-400	SHD-500	SHD-600	SHD-800	SHD-1000
料桶容量(kg) Capacity	250	300	400	500	600	800	1000
干燥电热(kW) Heater Power	14.5	14.5	18	18	24	30	37
送风机(W) Blower Power	340	340	380	380	1000	2200	2200
L (mm)	1240	1335	1360	1360	1570	1800	1800
W (mm)	770	870	900	900	1060	1200	1200
H (mm)	1820	1870	2040	2240	2300	2400	2700
B (mm)	415	460	508	508	570	663	663
C (mm)	1000	1000	1080	1080	1220	1220	1520
K (mm)	230	230	320	320	320	280	280
K (mm)	230	230	320	320	320	280	280
A (mm)	218	219	266	266	266	272	272
适用成型机射出货量(g) Adaptable Injectioner	2500-3000	3000-4000	4000-6000	4000-6000	6000-8000	8000-10000	8000-12000
重量 (kg) Weight	97	107	147	150	180	230	270

## 选配件 Choose accessories

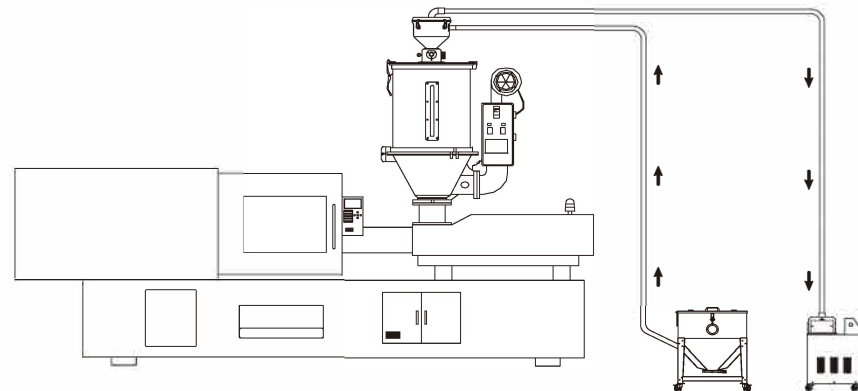
## 外形尺寸 External dimensions



磁力底座 M      集尘器 HDC      热风回收 HRC



## 安装示意图 Diagram of installation



# 欧化型干燥机

## European type Hopper Dryer

SHD - AAA - L

升 Litre

料筒容量 Hopper Capacity

干燥机 Hopper Dryer



### 性能特点 Performance characteristic

- 本机料斗采用优质不锈钢制作，可有效保证原料不受污染。
  - 外层采用特殊材料，美观新颖。
  - 内外层间有高效保温材料，减少热量损失。
  - 采用热风下吹式设计，使料桶内温度更均匀。
  - 控温采用进口温控表，PID控制，可精确控温度。
  - 配备24小时定时器，可实现提前开机，提高工作效率。
  - 配备清料门，可方便清理料桶。
- The hopper is made from high quality of stainless steel to ensure that the materials won't be polluted.
  - The out layer is made of special material which is fashionable and attractive.
  - The high-efficiency insulation material between internal layer and out layer to reduce the heat loss.
  - Hot air down-blowing design ensures the even temperature in the hopper.
  - The temperature is controlled by the import PID temp. controller to ensure the precision temperature.
  - The 24H timer can achieve device startup in advance to improve work efficiency.
  - Equipping with the cleaning door, which is convenient for cleaning the hopper.

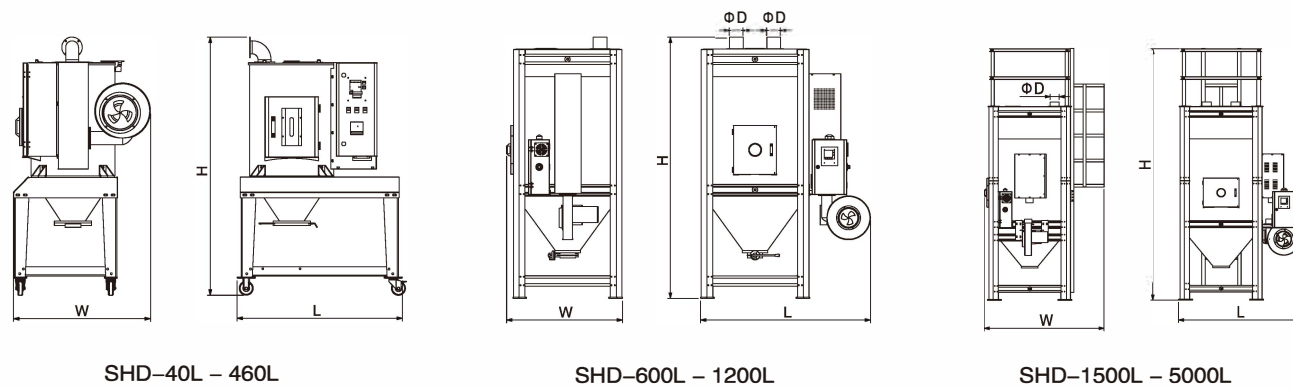
### 规格表 Specifications

型号 Model	SHD-3L	SHD-5L	SHD-40L	SHD-80L	SHD-120L	SHD-160L	SHD-230L
料桶容量(kg) Capacity	2	3	25	50	75	100	150
干燥电热(kW) Heater Power	0.5	0.5	3.2	4.2	5	7	9
送风机(W) Blower Power	30	30	140	180	180	250	370
风口感径(ΦD) Pipe diameter(inch)	/	/	/	/	/	/	/
L (mm)	285	395	780	890	890	920	940
W (mm)	340	390	660	740	800	800	800
H (mm)	610	610	1350	1390	1480	1630	1890
重量(kg) Weight	15	30	75	100	120	147	169

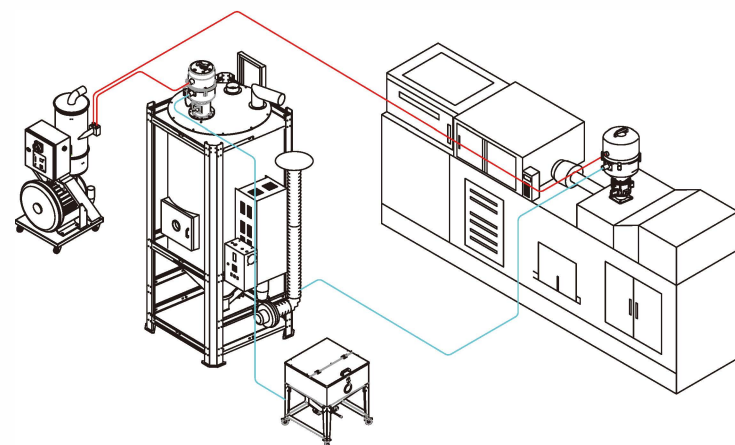
型号 Model	SHD-300L	SHD-380L	SHD-460L	SHD-600L	SHD-800L	SHD-1000L	SHD-1200L
料桶容量(kg) Capacity	200	250	300	400	600	700	800
干燥电热(kW) Heater Power	12	14.5	14.5	18	24	24	24
送风机(W) Blower Power	550	550	550	900	900	1100	1100
风口感径(ΦD) Pipe diameter(inch)	76	76	89	89	127	127	127
L (mm)	980	1050	1120	1400	1550	1580	1670
W (mm)	840	860	960	900	1060	1060	1170
H (mm)	2000	2080	2190	2350	2400	2700	2700
重量(kg) Weight	196	210	233	300	362	400	480

型号 Model	SHD-1500L	SHD-1700L	SHD-2000L	SHD-3000L	SHD-3300L	SHD-4000L	SHD-5000L
料桶容量(kg) Capacity	1000	1200	1500	2000	3000	3000	3000
干燥电热(kW) Heater Power	36	36	40	45	50	50	54
送风机(W) Blower Power	1500	1500	1500	2200	2200	3000	3000
风口感径(ΦD) Pipe diameter(inch)	127	127	133	153	153	153	153
L (mm)	1700	1700	1760	2020	2040	2040	2040
W (mm)	1680	1680	1750	1920	1950	1950	1950
W1 (mm)	1230	1230	1290	1470	1490	1490	1490
H (mm)	3500	3780	4180	4180	4670	4980	5580
H1 (mm)	2700	2980	3380	3340	3870	4180	4780
重量(kg) Weight	603	640	681	750	780	850	950

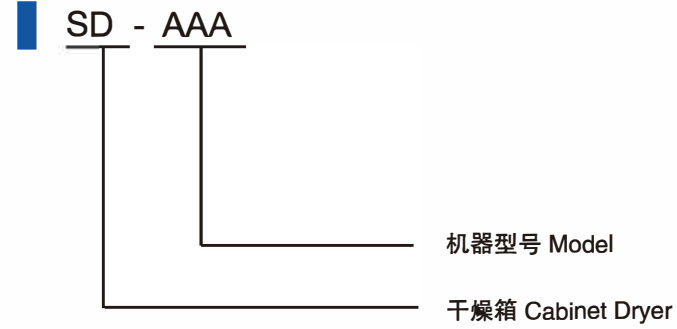
### 外形尺寸 External dimensions



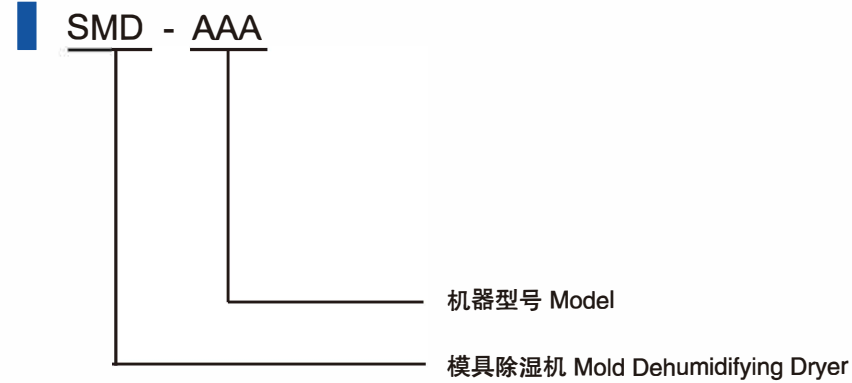
### 安装示意图 Diagram of installation



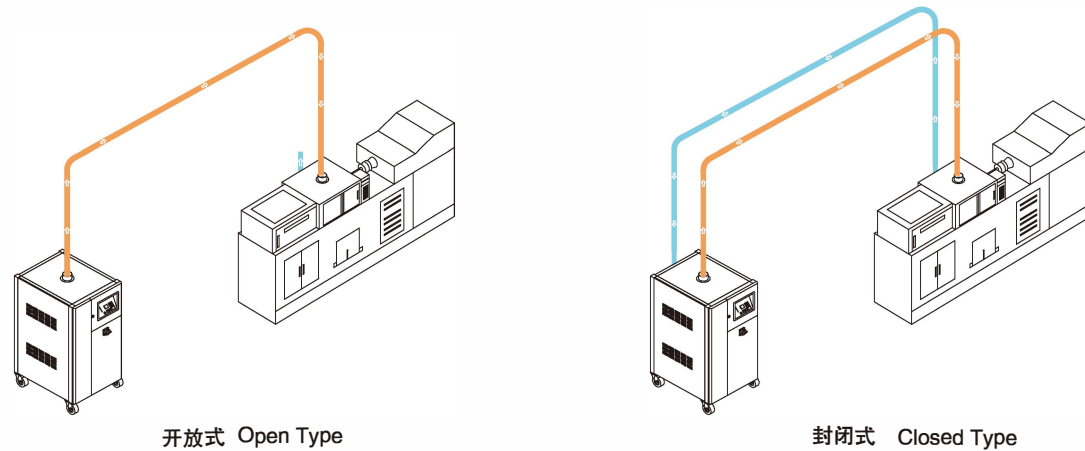
# 干燥箱 Cabinet Dryer



# 模具除湿机 Mold Dehumidifying Dryer

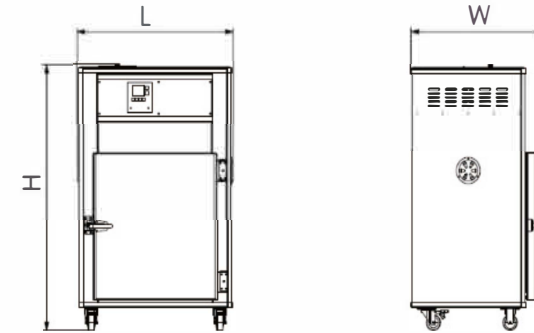


## 安装示意图 Diagram of installation



产品规格若有变更，恕不另行通知。We reserve the right to change specifications without prior notice.

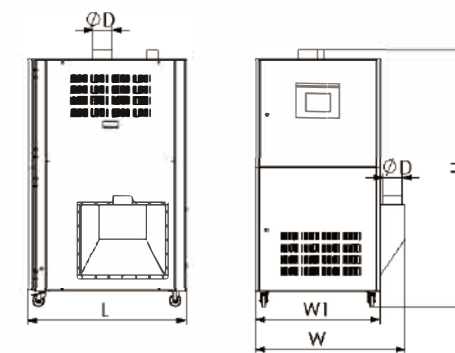
## 外形尺寸 External dimensions



## 规格表 Specifications

型号	Model	SD-5	SD-9
电热功率	Heater Power(kW)	4.5	4.5
风机功率	Blower Power(kW)	0.55	0.55
温控范围	Temperature Range(°C)	200	200
托盘数	Numbers of Tray	5	9
容量	Capacity(kg)	45	80
	L (mm)	850	850
	W (mm)	710	710
	H (mm)	1300	1550
重量 (kg)	Weight	146	176

## 外形尺寸 External dimensions



## 性能特点 Performance characteristic

- 本机工作原理为空气通过转轮蜂巢除湿后，在经过管路吹向模具把模具上露水带走，从而保证模具的清洁。
- 本公司生产的模具除湿机，采用转轮蜂巢式，能提供-10℃左右的露点，且露点稳定，使塑料成型机模具远离结露的困扰，有效地提高产品品质。
- The device operational principle: the air passes rotating honeycomb then blows off the dew on the mold to keep the mold clean.
- Our Mold Dehumidifying Dryer adopts imported rotating honeycomb, can provide the steady dew point around -10 °C, make the injection mold far away from condensation of moisture, improve the products' quality effectively.

## 规格表 Specifications

型号	Model	SMD-500	SMD-1000	SMD-1500	SMD-2000
干燥风量	Dry blower (m³/hr)	0.5	1	1.5	2
干燥风机功率	Power of dry blower (kW)	0.9	1.5	2.2	3
再生风机功率	Power of regenerating blower (kW)	180	180	340	340
再生电热功率	Power of regenerating heater (kW)	7	7	9	9
风口管径(ΦD)	Pipe diameter (inch)	102	127	152	152
	L (mm)	1050	1050	1170	1170
	W (mm)	1000	1000	1330	1330
	W1 (mm)	830	830	1030	1030
	H (mm)	1660	1660	1865	1865
重量 (kg)	Weight	250	370	420	550

产品规格若有变更，恕不另行通知。We reserve the right to change specifications without prior notice.

# 蜂巢除湿机

## Dehumidifying Dryer

SLD - AAA

除湿风量 Air Volume  
蜂巢除湿机 Dehumidifying Dryer



### 原料干燥时间表: Timetable of material drying

原料 Material	干燥温度(°C) Drying Temperature	干燥时间(hr) Drying Time	原料比重(kg/L) Material specific gravity	含水率(%) Moisture Content	干燥处理能力 Drying Capacities (Kg/hr)													
					80	100	120	150	200	300	400	500	700	1000	1500	2000		
ABS	80	2~3	0.6	0.3~0.02	25	50	75	90	120	180	240	300	400	410	700	1040		
POM	100	2	0.6	0.2~0.02	38	48	75	105	160	260	320	420	530	625	1010	1580		
PMMA	80	3	0.65	0.5~0.02	19	25	38	78	115	195	230	297	382	456	762	1150		
PA6/66	75	4~6	0.65	1~0.05	10	12	19	39	57	94	110	152	191	216	378	570		
PA11	75	4~5	0.65	1~0.05	12	18	23	45	68	112	136	180	230	270	458	685		
PA12	75	4~5	0.65	1~0.05	12	18	23	45	68	112	136	180	230	270	458	685		
PC	120	2~3	0.7	0.3~0.01	20	28	39	80	120	198	247	325	410	490	825	1220		
PU	90	2~3	0.65	0.3~0.02	20	40	60	75	100	150	200	250	350	440	740	1130		
PBT	130	3~4	0.7	0.2~0.02	15	23	30	60	90	150	182	243	305	370	620	920		
PE	90	1	0.6	0.01~<0.01	50	65	100	120	300	520	620	840	1060	1250	2100	3120		
PEI	150	3~4	0.6	0.25~0.02	18	27	41	53	80	135	165	200	250	320	550	820		
PET	160	4~6	0.85	0.2~0.05	12	18	25	50	70	110	140	170	240	300	500	750		
PETG	70	3~4	0.6	0.5~0.02	19	27	39	53	80	135	162	210	265	310	520	790		
PEN	170	5	0.85	0.1~0.85	21	30	39	60	90	150	175	250	310	340	580	900		
PES	150	4	0.7	0.8~0.02	21	30	40	60	90	150	175	245	300	350	600	900		
PPO	110	1~2	0.5	0.1~0.04	25	55	80	95	130	190	260	330	470	500	880	1310		
PPS	150	3~4	0.6	0.1~0.02	12	25	34	52	75	130	156	210	260	320	520	780		
PI	120	2	0.6	0.4~0.02	27	32	40	52	100	158	255	310	420	525	630	1050		
PP	90	1	0.5	0.1~0.02	38	52	65	87	176	262	438	520	700	872	1050	1680		
PS(GP)	80	1	0.5	0.1~0.02	43	85	130	160	240	360	480	600	840	1050	1700	2500		
PVC	70	1~2	0.5	0.1~0.02	25	55	80	95	130	190	260	350	500	530	870	1310		
SAN(AS)	80	1~2	0.5	0.1~0.05	25	55	80	95	130	190	260	350	500	540	870	1310		
TPE	110	3	0.7	0.1~0.02	25	37	50	85	125	202	245	331	413	476	812	1200		
CA	75	2~3	0.5	1~0.02	20	28	32	55	86	145	170	225	290	340	580	872		
CAB	75	2~3	0.5	0.8~0.02	20	26	32	58	85	140	175	228	285	350	570	865		
LCP	150	4	0.6	0.04~0.02	20	27	38	55	85	140	165	220	270	340	510	800		

注: “含水率”为除湿前(%)~除湿后(%); 主要针对单独的干燥料斗为准。

Note: "Moisture Content": before dehumidification(%)~after dehumidification(%); Mainly for single hopper.

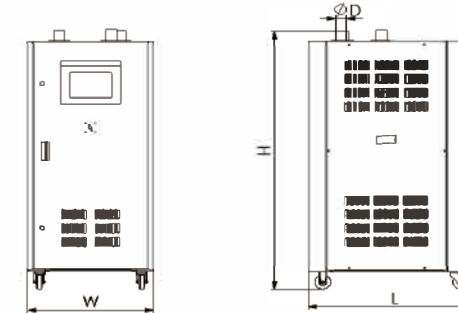
产品规格若有变更, 恕不另行通知。 We reserve the right to change specifications without prior notice.

### 性能特点 Performance characteristic

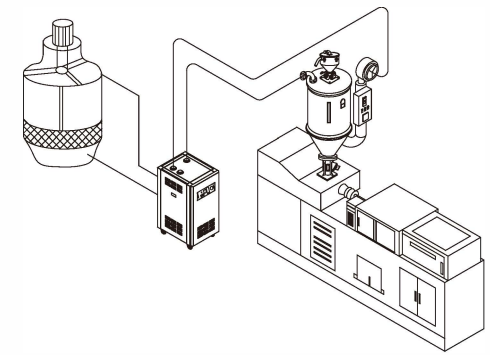
- 本机可提供最低-50℃的低露点干燥风, 满足多工程塑料生产需求;
- 本机采用PID微电脑控制, 温度控制准确;
- 本机装有逆相报警功能;
- 本机装有转轮异常报警功能;
- 本机装有高效冷却器, 确保更低回风温度。

- The machine can provide the dry wind with the low dew point of -50℃ and satisfy many requests of plastic production.
- The machine is controlled by PID micro computer to make the accurate temperature.
- The machine is equipped with the converse alarm function.
- The machine is equipped with the alarm function for abnormal wheel turning.
- The machine is equipped with highly efficient condenser to ensure the lower temperature of the return air.

### 外形尺寸 External dimensions



### 安装示意图 Diagram of installation



### 规格表 Specifications

型号	Model	SLD-80	SLD-100	SLD-120	SLD-150	SLD-200	SLD-300
干燥风量	Dry blower (m³/hr)	80	100	120	150	200	300
干燥风机功率	Power of dry blower (kW)	0.55	0.75	1.5	1.5	2.2	3
再生风机功率	Power of regenerating blower (kW)	0.18	0.18	0.37	0.37	0.55	0.75
再生电热功率	Power of regenerating heater (kW)	3.2	3.2	4.2	4.2	5	7
风口感径(ΦD)	Pipe diameter (inch)	51	63	63	76	76	89
	L (mm)	800	800	920	920	920	1050
	W (mm)	600	600	650	650	650	800
	H (mm)	1400	1400	1550	1550	1550	1650
重量 (kg)	Weight	160	165	189	189	189	273

型号	Model	SLD-400	SLD-500	SLD-700	SLD-1000	SLD-1500	SLD-2000
干燥风量	Dry blower (m³/hr)	400	500	700	1000	1500	2000
干燥风机功率	Power of dry blower (kW)	4	5.5	5.5	5.5*2	5.5*2	7.5*2
再生风机功率	Power of regenerating blower (kW)	0.75	0.75	0.75	1.1	1.1	2.2
再生电热功率	Power of regenerating heater (kW)	9	12	14.5	7*2	9*2	9*2
风口感径(ΦD)	Pipe diameter (inch)	89	127	127	152	152	152
	L (mm)	1050	1310	1310	1920	1920	2320
	W (mm)	800	900	900	1340	1340	1570
	H (mm)	1650	1720	1720	1950	1950	1980
重量 (kg)	Weight	325	450	500	808	1100	1300

产品规格若有变更, 恕不另行通知。 We reserve the right to change specifications without prior notice.

# 光学级干燥除湿送料一体机

Optical Grade Combination Of Drying, Dehumidifying And Conveying

SLH ( J ) - AAA L - BBB

转轮风量 Air Volume

升 Litre

料筒容量 Hopper Capacity

节能型 Energy Saving

干燥除湿送料一体机

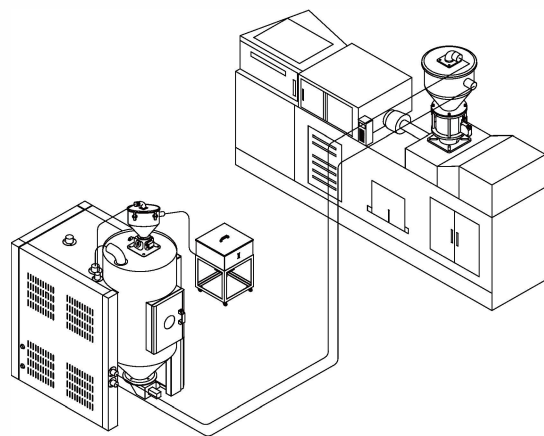
Combination of Drying, Dehumidifying and Conveying



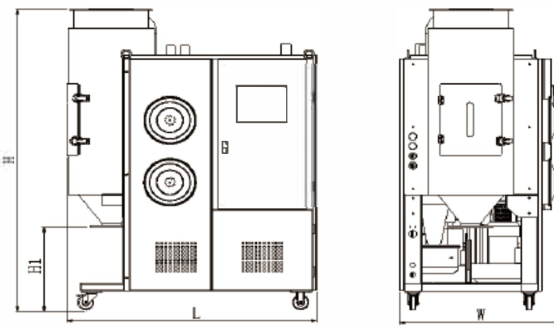
## 性能特点 Performance characteristic

- 集干燥、除湿、两段送料三种功能于一体，也可根据客户需要做多段送料；
- 除湿干燥回路采用全密闭设计，确保更低露点的空气不与外界空气接触；
- 送料系统全密闭设计，保证了干燥后的原料不与外界空气接触而再次受潮；
- 送料装置加装截料阀，保证送料管路中无残余的原料，送料更顺畅；
- 双层保温干燥桶，有效防止热量散失，节约加热能耗；
- 高效能的散热器，确保更低温、更低露点的空气。
- Combine three functions of drying, dehumidifying and two-stage feeding together, can also customize multi-stage feeding according to customer needs.
- The dehumidification system is designed to be closely hermetic, which ensures the air of low dew point doesn't contact with the outside air.
- The conveying system is designed to be closely hermetic, which ensures the dried material not contacting with the outside air and being wet again.
- The shut off valve is equipped on the conveying system to ensure no remnant materials in the material pipeline and smooth conveying.
- Double-layer heat preservation dry barrel to effective prevent the heat loss and save energy consumption.
- High efficient heat dissipater to ensure the air with lower temperature and lower dew point.

## 安装示意图 Diagram of installation



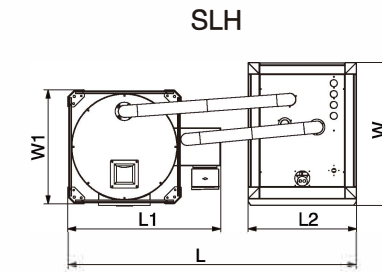
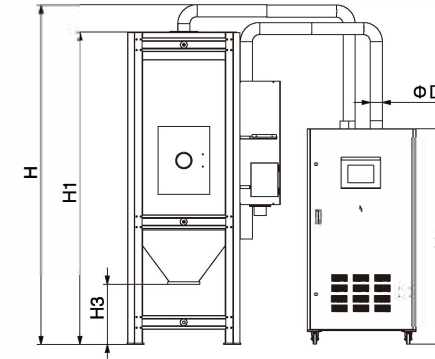
## 外形尺寸 External dimensions



SLHJ

产品规格若有变更，恕不另行通知。We reserve the right to change specifications without prior notice.

## 外形尺寸 External dimensions



## 规格表 Specifications

型号	Model	SLHJ-40L-40	SLHJ-80L-40	SLHJ-80L-80	SLHJ-120L-100	SLHJ-160L-100	SLHJ-230L-120	SLHJ-300L-150	SLHJ-380L-200
料桶容量	Capacity(L)	40	80	80	120	160	230	300	380
转轮风量	Dry blower(m³/hr)	40	40	80	100	100	120	150	200
干燥电热	Power of heat heater(kW)	3.2	4.2	4.2	5	7	9	12	14.5
干燥风机	Power of dry blower(kw)	0.37	0.55	0.55	0.75	1.1	1.5	1.5	2.2
再生风机	Power of regenerating blower (kw)	0.18	0.18	0.18	0.18	0.18	0.37	0.55	0.55
吸料气泵	Power of air pump (kw)	0.75	1.1	1.1	1.1	1.1	1.5	1.5	1.5
再生电热	Power of regenerating heater (kw)	3.2	3.2	3.2	3.2	3.2	4.2	4.2	7
料管直径	Pipe diameter(mm)	38	38	38	38	38	38	51	51
	L (mm)	1100	1160	1160	1265	1310	1500	1520	1400
	W (mm)	750	750	750	850	855	900	900	950
	H (mm)	1410	1550	1550	1680	1720	1980	2030	2080
	H1 (mm)	425	425	425	375	375	460	460	405
重量 (kg)	Weight	235	248	267	324	354	380	414	450

型号	Model	SLH-460L-300	SLH-600L-400	SLH-800L-500	SLH-1000L-700	SLH-1200L-700	SLH-1500L-1000	SLH-1700L-1000	SLH-2000L-1500
料桶容量	Capacity(L)	460	600	800	1000	1200	1500	1800	2000
转轮风量	Dry blower(m³/hr)	300	400	500	700	700	1000	1000	1500
干燥电热	Power of heat heater(kW)	14.5	18	24	24	24	36	36	40
干燥风机	Power of dry blower(kw)	3	4	5.5	7.5	7.5	5.5*2	5.5*2	5.5*2
再生风机	Power of regenerating blower (kw)	0.75	0.75	0.75	0.75	0.75	1.1	1.1	1.1
吸料气泵	Power of air pump (kw)	1.5	1.5	2.2	2.2	2.2	2.2	2.2	2.2
再生电热	Power of regenerating heater (kw)	7	9	12	14.5	14.5	7*2	7*2	9*2
料管直径	Pipe diameter(mm)	51	51	51	51	51	51	51	51
	L (mm)	2060	2130	2400	2400	2600	3400	3430	3450
	L1 (mm)	1090	1130	1295	1295	1460	1460	1480	1500
	L2 (mm)	800	800	900	900	900	1250	1250	1250
	W (mm)	1050	1050	1310	1310	1310	1850	1850	1850
	W1 (mm)	950	860	995	995	1090	1090	1145	1220
	H (mm)	2200	2500	2550	2850	/	/	3520	4150
	H1 (mm)	/	2300	2300	2600	2560	2560	2705	3300
	H2 (mm)	1590	1590	1660	1660	1660	1870	1870	1870
	H3 (mm)	420	440	420	420	500	500	480	450
	φD	89	89	127	127	127	127	152	152
重量 (kg)	Weight	510	665	820	905	964	1410	1550	1780

产品规格若有变更，恕不另行通知。We reserve the right to change specifications without prior notice.

# 一体式自动上料机

## One Piece Complete Type Autoloader

SAL - AAA - C

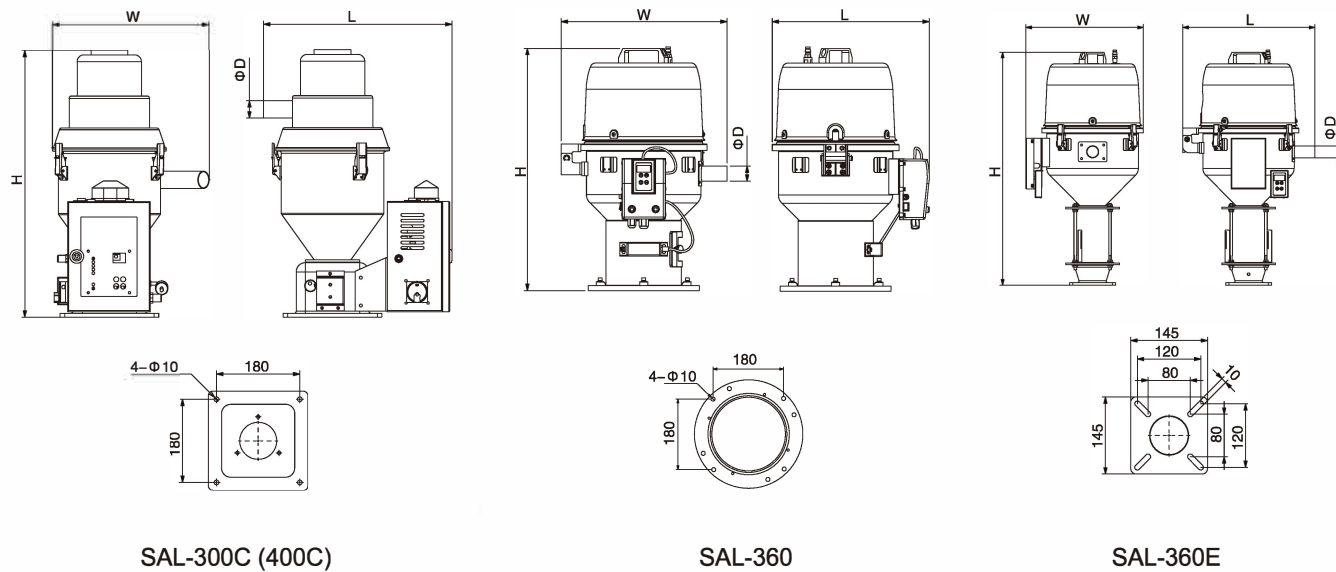
选配件 Optional Accessory  
机器型号 Model  
自动上料机 Autoloader



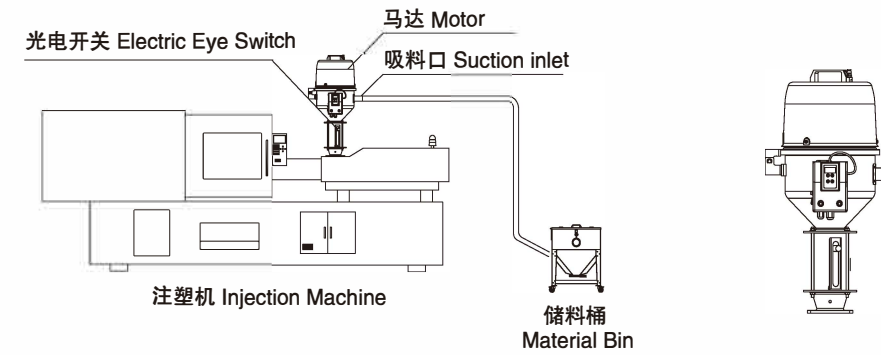
### 性能特点 Performance characteristic

- 采用进口高速整流子马达，体积小，吸力强；
- 操作控制器与电控箱用信号线连接，操作方便自由；
- 微电脑控制，动作准确；
- 外挂式的贮气装置，清除滤网上的粉尘更彻底；
- 电子式的动作检测器，故障率极低；
- 多重故障指示灯，方便客户了解发生故障的原因，及时作出处理。
- Imported high speed commutator motor, small cubage and strong suction.
- Connection between operation controller and electric control box free and convenient operation.
- Controlled by microcomputer, action precision.
- Out hanged air storage device to thoroughly clean the dust on the strainer.
- Electronic action detector and low fault rate.
- Multi fault indicator lamp to facilitate the customer knowing the reason and handling in time.

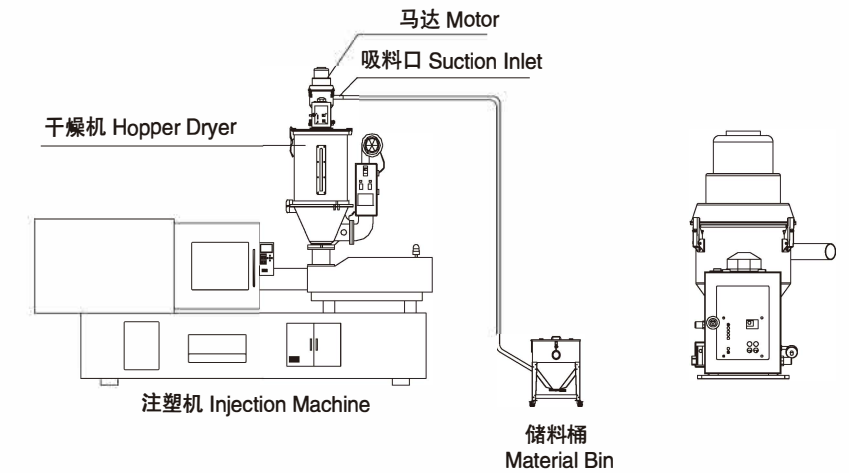
### 外形尺寸 External dimensions



### 安装示意图 Diagram of installation



SAL-360E上料机 Auto Loader



SAL-300C上料机 Auto Loader

### 规格表 Specifications

型号 Model	SAL-300C	SAL-360	SAL-360E	SAL-400
马达 Motor (kW)	1:1	1:1	1.1	0.75
输送能力 Conveying Capacity (kg/hr)	250	300	300	350
输送高度 Conveying Height (m)	4.5	4.5	4.5	4.5
料斗容量 Material Hopper Volume (L)	6	12	12	12
吸料管内径 (ΦD) Conveying Tube Calibre (mm)	38	38	38	38
L (mm)	360	370	370	360
W (mm)	350	420	420	560
H (mm)	600	610	730	400
重量 Weight (kg)	18	16	18	29

# 分体式自动上料机

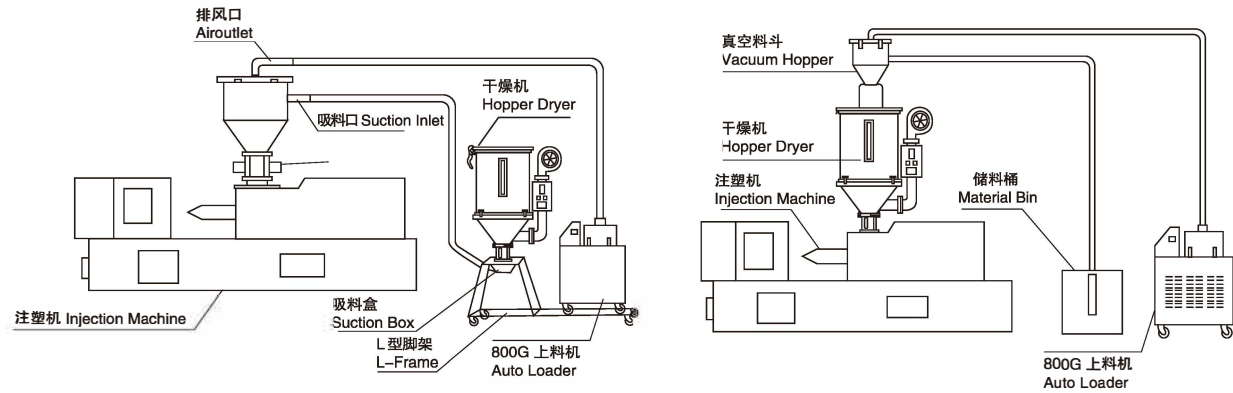
## Detachable Type Autoloader

SAL - AAA G E

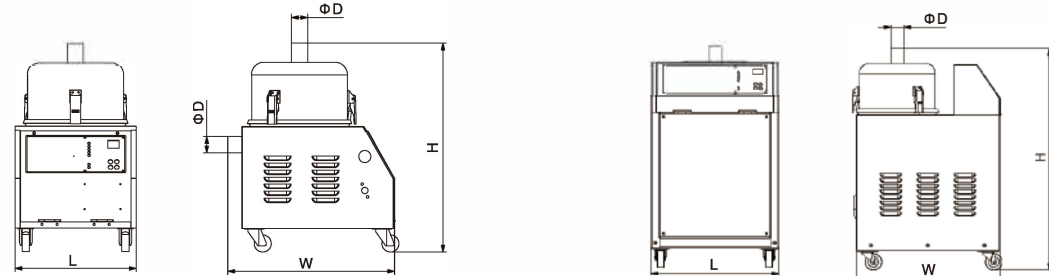
光电开关 Electric Eye Switch  
主机分离式 Detachable Type  
机器型号 Model  
自动上料机 Autoloader



### 安装示意图 Diagram of installation



### 外形尺寸 External dimensions



SAL-700G

SAL-800G

型号 Model	SAL-700G	SAL-700GE	SAL-800G1	SAL-800G1E	SAL-800G2	SAL-800G2E
马达 Motor (kW)	1:1	1:1	1:1	1:1	1:1	1:1
输送能力 Conveying Capacity (kg/hr)	300	300	350	350	400	400
输送高度 Conveying Height (m)	4.5	4.5	4.5	4.5	5	5
吸料管内径 (ΦD) Conveying Tube Calibre (mm)	38	38	38	38	38	38
L (mm)	285	285	380	380	380	380
W (mm)	400	400	430	430	430	430
H (mm)	500	500	670	670	670	670
重量 Weight (kg)	29	30	51	52	53	54

产品规格若有变更，恕不另行通知。We reserve the right to change specifications without prior notice.

# 开放式自动上料机

## Open Type Auto Loader

SML 斯曼尔  
www.nb-sml.com  
sales10@nb-sml.com

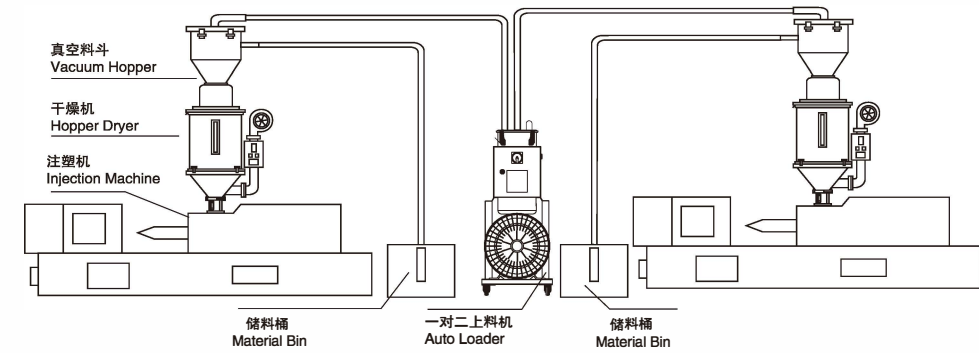
Feeding & Conveying  
物料输送系列

SAL - AAA HP F E

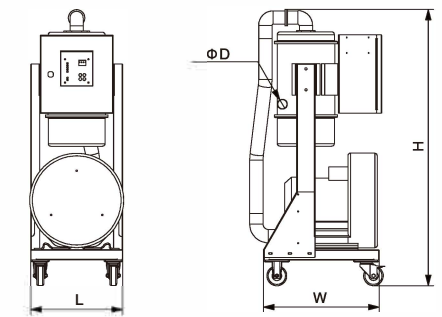
光电开关 Electric Eye Switch  
一对多 One Feeds to Multiple  
开放式 Open Type  
机器型号 Model  
自动上料机 Autoloader



### 安装示意图 Diagram of installation



### 外形尺寸 External dimensions



### 规格表 Specifications

型号 Model	SAL-3HP(-F)(E)	SAL-4HP(-F)(E)	SAL-5HP(-F)(E)	SAL-7.5HP(-F)(E)	SAL-10HP(-F)(E)
马达 Motor (kW)	2.2	3	4	5	7.5
输送能力 Conveying Capacity (kg/hr)	550	600	700	800	1000
输送高度 Conveying Height (m)	7	8	8	10	12
吸料管内径 (ΦD) Conveying Tube Calibre (mm)	38	38	51	51	51
L (mm)	350	355	440	1060	960
W (mm)	440	440	560	560	560
H (mm)	1060	650	560	1300	1040
H1 (mm)	960	650	560	1300	1040
储料斗 Material Hopper Volume (L)	12L (12L*2)	12L (12L*2)	20L (20L*2)	20L (20L*2)	20L (20L*2)
重量 Weight (kg)	69	77	100	124	126

产品规格若有变更，恕不另行通知。We reserve the right to change specifications without prior notice.

# 储料送料一体机

## Material Storage & Conveying

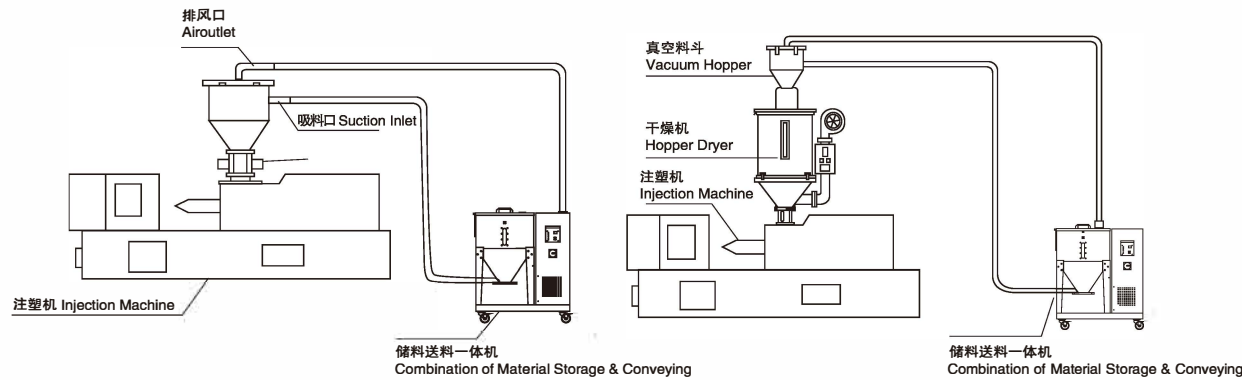
SBL - AAA

机器型号 Model

储料送料一体机 Material Storage & Conveying



### 安装示意图 Diagram of installation



# 干燥送料一体机

## Drying & Conveying

**SML 斯曼尔**  
www.nb-sml.com  
sales10@nb-sml.com

Feeding & Conveying  
物料输送系列

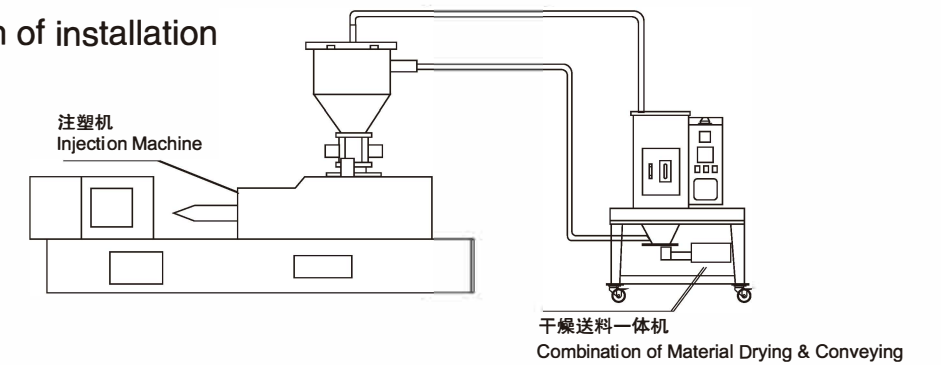
SLC - AAA

机器型号 Model

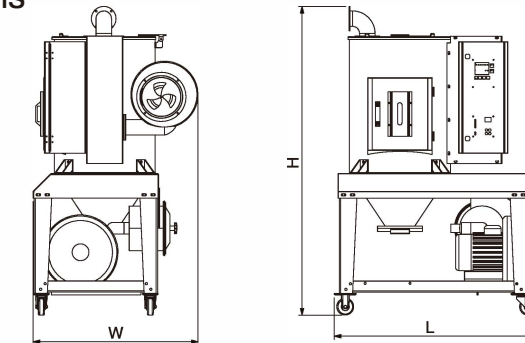
干燥送料一体机 Drying & Conveying



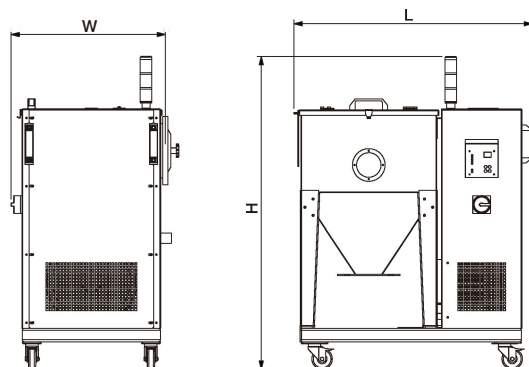
### 安装示意图 Diagram of installation



### 外形尺寸 External dimensions



### 外形尺寸 External dimensions



### 规格表 Specifications

型号	Model	SBL-50	SBL-100
料桶容量	Capacity (L)	80	150
料桶容量	Capacity (KG)	50	100
储料斗	Material Hopper (L)	6	6
吸料气泵	Power of air pump (kw)	1.1	1.5
料管直径	Pipe diameter (mm)	38	38
L	(mm)	860	1070
W	(mm)	620	820
H	(mm)	1150	1160
重量	Weight (kg)	108	125

注：  
SBL SLC以上机型均可选配一对二(D)或一对多进行多段送料；  
(E)为选配光电料斗。

Note:  
Autoloader model from SAL-3HP the above ones can be choose to equip with two (D) or more hoppers to process the multi-stage conveying.  
(E) is Electric eye hopper.

产品规格若有变更，恕不另行通知。We reserve the right to change specifications without prior notice.

产品规格若有变更，恕不另行通知。We reserve the right to change specifications without prior notice.

型号	Model	SLC-40L(D)	SLC-80L(D)	SLC-120L(D)	SLC-160L(D)
料桶容量	Capacity (L)	40	80	120	160
干燥电热	Power of heater (kw)	3.2	4.2	5	7
干燥风机	Power of dry blower (kw)	0.14	0.18	0.18	0.25
吸料气泵	Power of air pump (kw)	1.5	1.5	1.5	1.5
料管直径	Pipe diameter (mm)	38	38	38	38
储料斗	Material Hopper (L)	6	6	6	6
L	(mm)	890	890	890	920
W	(mm)	690	740	800	800
H	(mm)	1340	1390	1480	1630
重量	Weight (kg)	121	143	160	187

# 输送机 Belt Conveyor

SCB - XXX - XX

长度 Length  
带宽 Width  
输送机 Belt Conveyor



SCB - XXX - XX - B

下行式 Downward Type  
长度 Length  
带宽 Width  
输送机 Belt Conveyor



SCB - XXX - XX - TB

上行式 Upward Type  
长度 Length  
带宽 Width  
输送机 Belt Conveyor

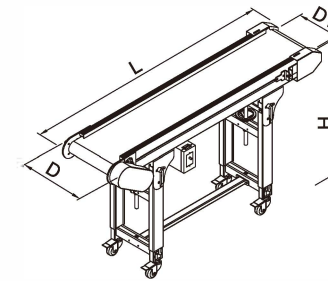


## 性能特点 Performance characteristic

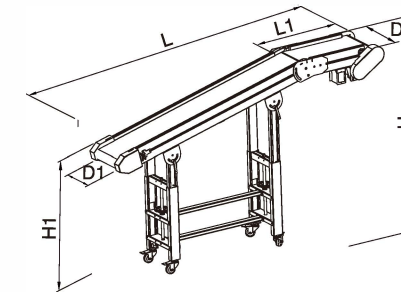
- 输送带设有松紧装置，保证输送可靠运行；
- 输送机长度可根据客户要求订制；
- 输送机高度可在一定范围内调整；
- 输送机配备落料挡块；
- Belt conveyor equips with elastic adjusted device to ensure the reliable running.
- The length of Belt conveyor can be customized according to the customer's requirement.
- The height of Belt conveyor can be adjusted within limits.
- Belt conveyor equips with baffle plate for blocking the products & materials to avoid being down.

产品规格若有变更，恕不另行通知。We reserve the right to change specifications without prior notice.

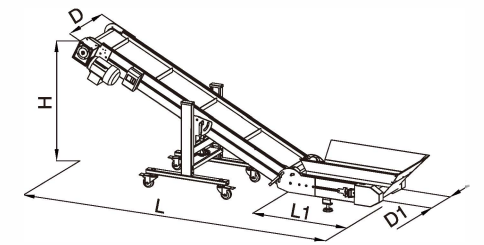
## 外形尺寸 External dimensions



SCB



SCB-B



SCB-TB

## 规格表 Specifications

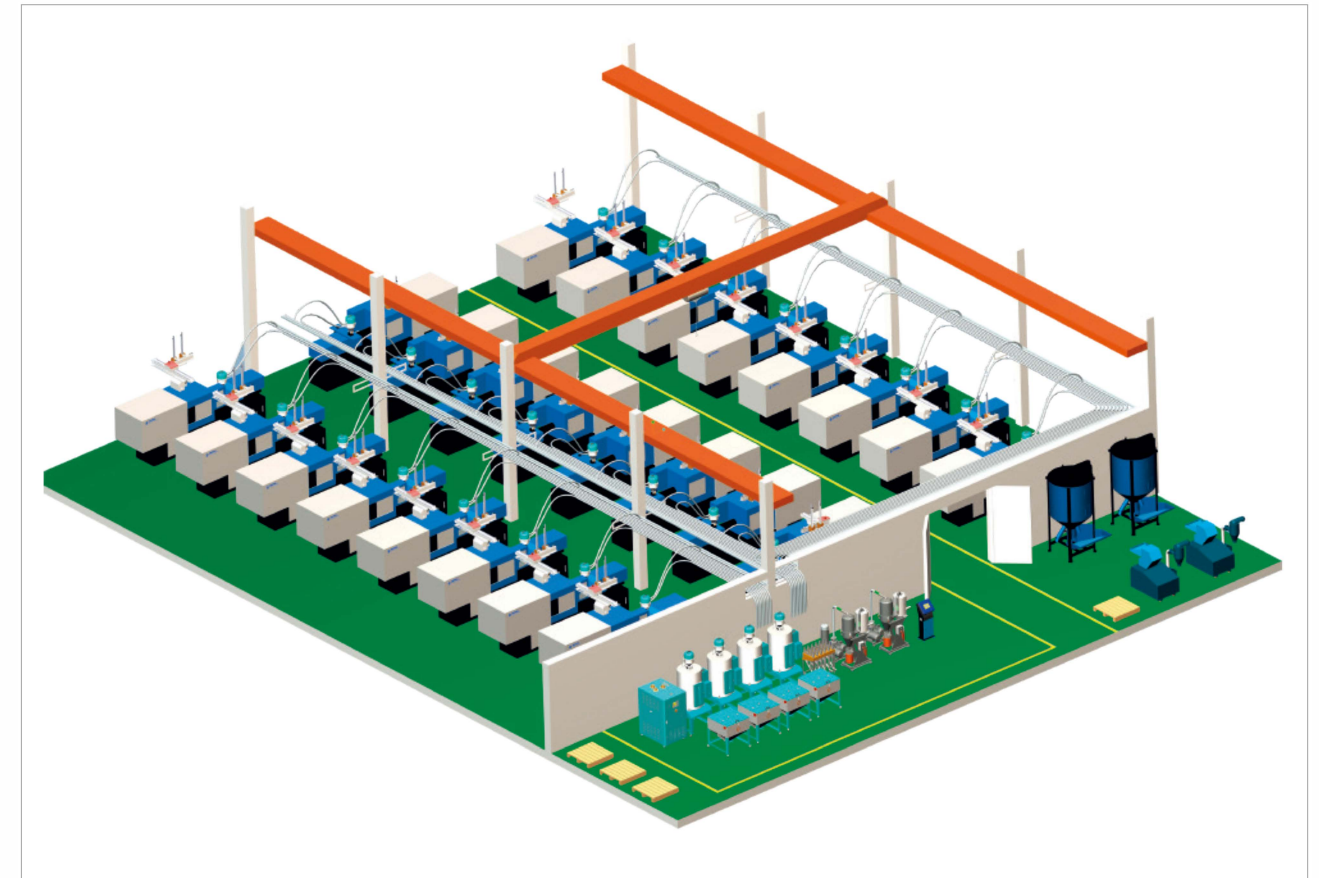
型号 Model	SCB-300	SCB-400	SCB-500	SCB-600	SCB-300B
功率 Power (W)	90	90	90	90	90
输送速度 Conveying Speed (m/min)	0-7	0-7	0-7	0-7	0-7
皮带宽度 Belt width (mm)	300	400	500	600	300
L (mm)	1740	1740	1740	2240	2440
L1 (mm)	/	/	/	/	680
D (mm)	490	590	690	790	490
D1 (mm)	300	400	500	600	300
H (mm)	900-1100	900-1100	900-1100	1400-1500	1400-1500
H1 (mm)	/	/	/	/	950-1050
重量 Weight (kg)	55	70	85	100	110

型号 Model	SCB-400B	SCB-500B	SCB-600B	SCB-300TB	SCB-400TB
功率 Power (W)	90	90	200	180	180
输送速度 Conveying Speed (m/min)	0-7	0-7	0-7	0-6	0-6
皮带宽度 Belt width (mm)	400	500	600	300	400
L (mm)	2440	2440	2440	2600	2600
L1 (mm)	680	680	680	730	730
D (mm)	490	590	690	565	665
D1 (mm)	400	500	600	300	400
H (mm)	1400-1500	1400-1500	1400-1500	1050-1150	1050-1150
H1 (mm)	950-1050	950-1050	950-1050	/	/
重量 Weight (kg)	120	135	155	97	112

产品规格若有变更，恕不另行通知。We reserve the right to change specifications without prior notice.



### 安装示意图 Diagram of installation



### 性能特点 Performance characteristic

中央供料系统是实现原料的集中处理、封闭输送、避免车间的噪声、灰尘、热气污染，大限度地提高产品品质的系统，可以实现一对多点的远距离集中控制，提高工作效率。

- 安全的工作条件，且集中除尘；
- 减少噪音；
- 降低能源损耗；
- 降低生产成本；
- 提高公司形象。

中央控制台采用国外先进PLC控制，通过程序控制显示每台注塑机的吸料、开机、缺料报警等操作；  
气动膜片阀小巧轻便，内置橡胶膜片，保证封闭，用于吸风回路中，控制吸风管路的通断；  
可订制各种尺寸、形状的不锈钢储料桶

Central conveying system enables central processing and closed conveyance of raw materials, which reduces the noise, dust and hot air pollution in workshop. It is an ideal system to maximally improve product quality, and also increase production efficiency by realizing distant control of one site conveying to multiple.

- Safe production environment & centralized dust removal;
- Lower noise;
- Decreases energy consumption;
- Decreases production cost;
- Promotes company image.

Central console unit will be controlled by PLC that made in foreign. With displays loading, switching on, and alarms for material shortage of every machine via programmed control.  
Pneumatic diaphragm valve, small and light, inner rubber film installed to ensure airtightness, is adopted to air suction circuit to control closure and opening of air suction pipe.  
All sizes of customised s/s material bins available.

# 经济型模温机

## Economical Temperature Controller

STC - AAA W

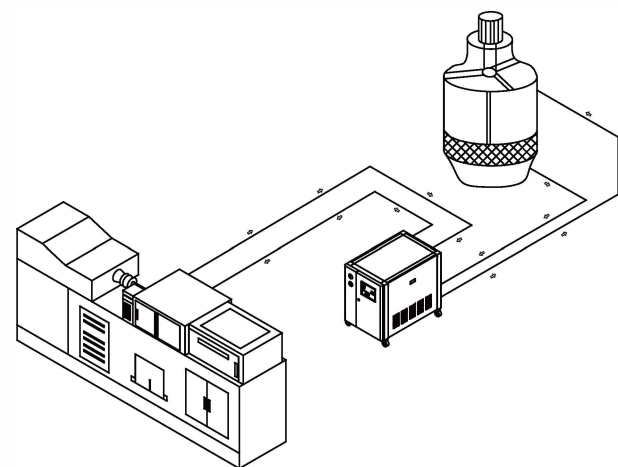
水式 Water Type  
机器型号 Model  
模温机 Mold Temp. Controller



### 性能特点 Performance characteristic

- 采用PID微电脑控制，控温准确；
- 水（油）泵过载保护，有效保障其使用寿命；
- 低液位报警装置，保证系统运行安全；
- 主电源切断开关，符合CE安全标准；
- 本机装有逆相报警功能；
- 多重异常指示装置，让客户清楚了解故障原因，故障及时得到解决；
- Controlled by PID micro computer, accurate temperature control.
- Pump overload protection to ensure service life effectively.
- Alarm device for low liquid level to guarantee system running safety.
- Switch of main power source conforms to CE safety standard.
- Alarm device for Phase reverse to guarantee system running safety.
- The device is equipped with multi-fault indicator to facilitate the customer knowing the reason and solving in time.

### 安装示意图 Diagram of installation



# 双段模温机

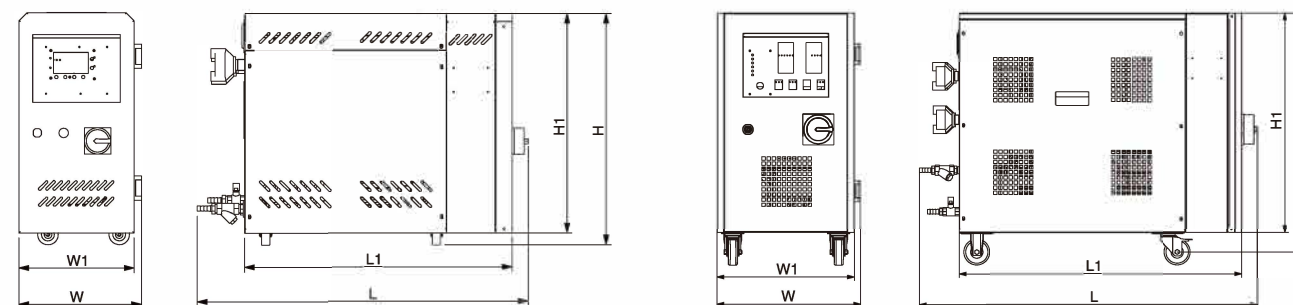
## Double Stage Temperature Controller

STC - AAA (W) 2D

双段 Double Stages  
水式 Water Type  
机器型号 Model  
模温机 Mold Temp. Controller



### 外形尺寸 External dimensions



STC-(W)

STC-(W)-2D

### 规格表 Specifications

型号 Model	STC-6W	STC-9W	STC-12W	STC-18W	STC-24W	STC-6	STC-9	STC-12	STC-18	STC-24
最高温度 Max Temp.°C	120	120	120	120	120	160	160	160	160	160
电热 Heat(Kw)	6	9	12	9X2	12X2	6	9	12	9X2	12X2
泵浦功率 Pump(kw)	0.37	0.75	1.5	1.5	2.2	0.37	0.75	1.5	1.5	2.2
流量 Flux L/min	42	56	110	235	315	42	56	110	235	315
加热媒介 Heating Medium	水 Water					油 Oil				
冷却方式 Cooling Mode	直接冷却 Direct Cooling					间接冷却 Indirect Cooling				
模具接头 Mold Tie (Inch)	3/8"4×2	3/8"4×2	3/8"6×2	3/8"6×2	3/8"6×2	3/8"4×2	3/8"4×2	3/8"6×2	3/8"6×2	3/8"6×2
L (mm)	780	780	780	980	980	780	780	780	980	980
L1 (mm)	660	660	660	830	830	660	660	660	830	830
W (mm)	300	300	300	420	420	300	300	300	420	420
W1 (mm)	280	280	280	400	400	280	280	280	400	400
H (mm)	580	580	580	750	750	580	580	580	750	750
H1 (mm)	540	540	540	640	640	540	540	540	640	640
重量 (kg) Weight	51	55	60	102	104	66	69	76	118	120

型号 Model	STC-6W-2D	STC-9W-2D	STC-12W-2D	STC-6-2D	STC-9-2D	STC-12-2D
最高温度 Max Temp.°C	120	120	120	160	160	160
电热 Heat(Kw)	6×2	9×2	12×2	6×2	9×2	12×2
泵浦功率 Pump(kw)	0.37×2	0.75×2	1.5×2	0.37×2	0.75×2	1.5×2
流量 Flux L/min	42×2	56×2	110×2	42×2	56×2	110×2
加热媒介 Heating Medium	水 Water			油 Oil		
冷却方式 Cooling Mode	直接冷却 Direct Cooling			间接冷却 Indirect Cooling		
模具接头 Mold Tie (Inch)	3/8"4×4	3/8"4×4	3/8"4×4	3/8"4×4	3/8"4×4	3/8"4×4
L (mm)	980	980	980	980	980	980
L1 (mm)	830	830	830	830	830	830
W (mm)	420	420	420	420	420	420
W1 (mm)	400	400	400	400	400	400
H (mm)	750	750	750	750	750	750
H1 (mm)	640	640	640	640	640	640
重量 (kg) Weight	94	100	115	112	118	130

# 高温型模温机

## High Temperature Controller

STC H - AAA W Z

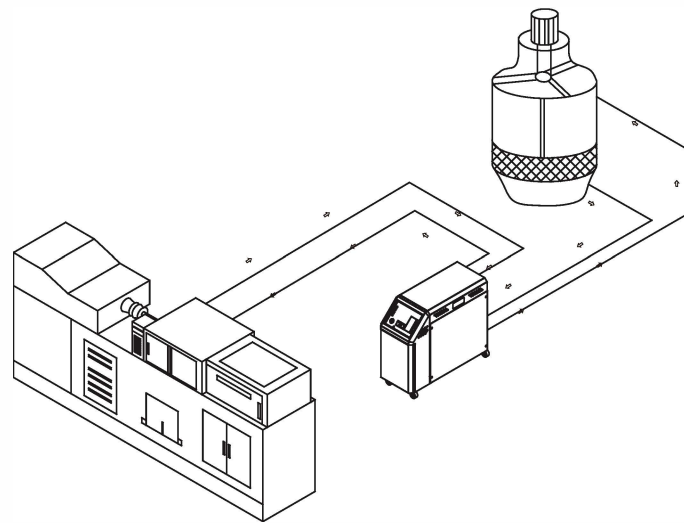
磁力泵 Magnetic Pump  
水式 Water Type  
机器型号 Model  
高温型 High Temp.  
模温机 Mold Temp. Controller



### 性能特点 Performance characteristic

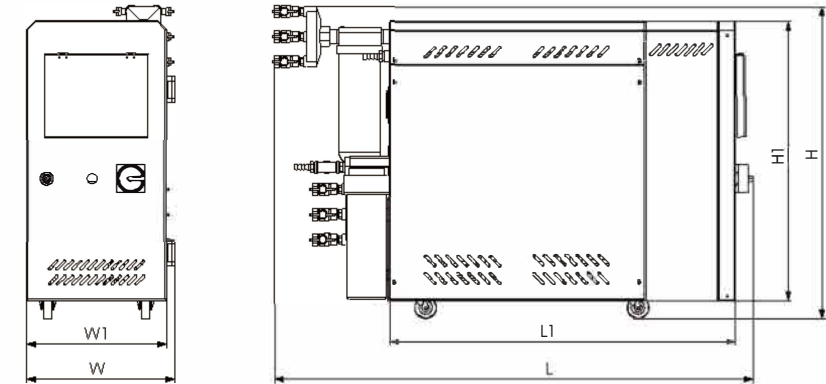
- 采用PID微电脑控制，控温准确；
  - 水（油）泵过载保护，有效保障其使用寿命；
  - 低液位报警装置，保证系统运行安全；
  - 主电源切断开关，符合CE安全标准；
  - 本机装有逆相报警功能；
  - 多重异常指示装置，让客户清楚了解故障原因，故障及时得到解决；
  - 加热桶采用不锈钢制造，清洗容易；
- Controlled by PID micro computer, accurate temperature control.
  - Pump overload protection to ensure service life effectively.
  - Alarm device for low liquid level to guarantee system running safety.
  - Switch of main power source conforms to CE safety standard.
  - Alarm device for Phase reverse to guarantee system running safety.
  - The device is equipped with multi-fault indicator to facilitate the customer knowing the reason and solving in time.
  - The heating barrel is made from the stainless steel and cleaned easily.

### 安装示意图 Diagram of installation



产品规格若有变更，恕不另行通知。We reserve the right to change specifications without prior notice.

### 外形尺寸 External dimensions



### 规格表 Specifications

型号 Model	STCH-6W	STCH-9W	STCH-12W	STCH-6WZ	STCH-9WZ	STCH-12WZ	STCH-6Z	STCH-9Z	STCH-12Z	STCH-18Z
最高温度 Max Temp. °C	160	160	160	160	160	160	300	300	300	300
电热 Heat (kW)	6	9	12	6	9	12	6	9	12	18
泵浦功率 Pump (kW)	0.37	0.75	1.5	1.1	1.1	1.7	1.1	1.1	1.7	2.2
流量 Flux L/min	42	56	110	60	60	90	60	60	90	90
	水 Water						油 Oil			
冷却方式 Cooling Mode	间接冷却 Indirect Cooling			间接冷却 Direct Cooling			间接冷却 Indirect Cooling			
模具接头 Mold Tie (Inch)	3/8"4×2	3/8"4×2	3/8"6×2	3/8"4×2	3/8"4×2	3/8"6×2	3/8"4×2	3/8"4×2	3/8"6×2	3/8"6×2
外型尺寸 External Dimensions										
L(mm)	1000	1000	1000	1100	1100	1100	1100	1100	1100	1100
L1(mm)	830	830	830	800	800	800	800	800	800	800
W(mm)	420	420	420	340	340	340	340	340	340	340
W1(mm)	400	400	400	320	320	320	320	320	320	320
H(mm)	750	750	750	720	720	720	720	720	720	720
H1(mm)	640	640	640	645	645	645	645	645	645	645
重量 Weight (kg)	78	83	90	99	99	105	97	97	125	140

产品规格若有变更，恕不另行通知。We reserve the right to change specifications without prior notice.

# 高效型风冷式冷水机

## Efficient Air-Cooled Chiller

SL- X X X A A

- 高效型 High Efficiency
- 节能型 Energy Saving
- 机器型号 Model
- 冷水机 Chiller



### 性能特点 Performance characteristic

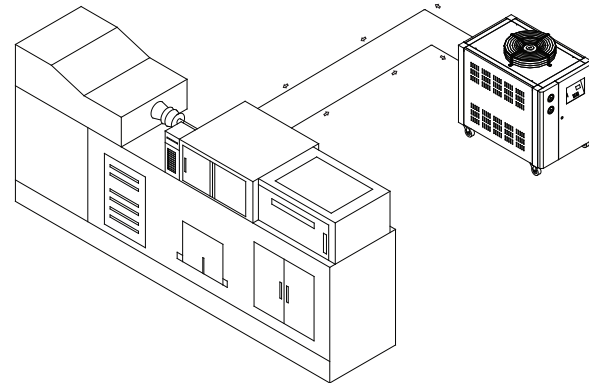
- 本系列机器冷却温度为7-35℃，可根据客户需要订制更低的冷却温度；
- 微电脑控制系统运作，温度精度到± 0.1℃；
- 压缩机与水泵均有过载保护装置，有效延长其使用寿命；
- 多重保护装置（防冻保护，高低压保护，流量保护），保障系统安全；
- 水箱采用不锈钢制作，并有保温层，冷冻管路均有保温层，提高制冷效率；
- 采用低转速风扇，噪音小；
- 风扇随压缩机的停止而延时停止，有效节约电能。

- The device can cool the water temperature ranging from 7 to 35℃. The low cooling temperature can be customized as per customer's needs.
- The micro computer controls the system running and the temperature can be precise to ±0.1℃.
- The overload protection device is used for compressor and pump to prolong the service life.
- The multi protection device (antifreezing protection, high and low pressure protection and flow protection) ensures the system safety.
- The water tank is made from the stainless steel and has a heat insulation layer. Freezing pipelines have the insulation layer to improve refrigerating efficiency.
- Low speed and noise blower fan.
- The blower fan stops along with the compressor, thus effective electric energy saving.

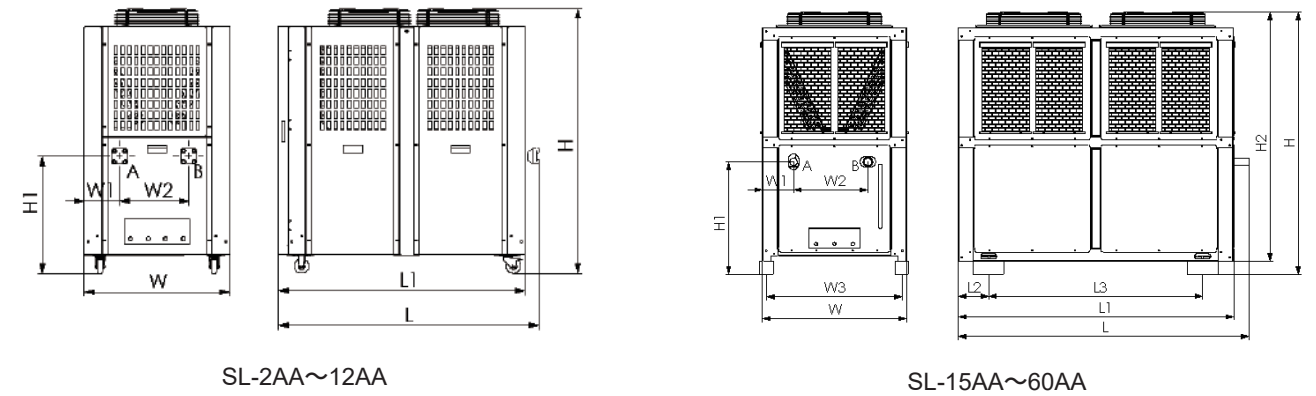
注：  
制冷能力工况：  
冷冻水入口温度12℃，出口温度7℃  
空气侧入口（环境温度）35℃

Note:  
The working conditions for refrigeration:  
Freezing water inlet temperature is 12℃, and the outlet temperature is 7℃  
Air side inlet (environmental temperature) is 35℃

### 安装示意图 Diagram of installation



### 外形尺寸 External dimensions

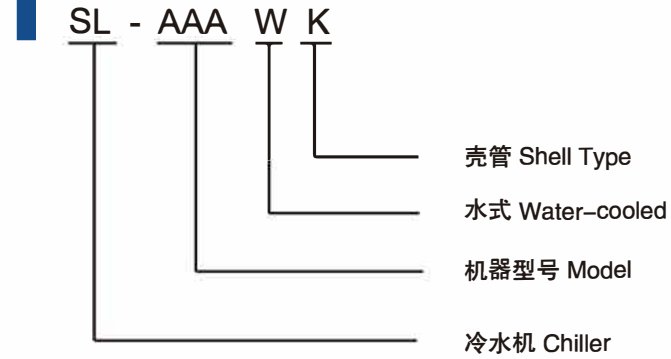


### 规格表 Specifications

型号 Model		SL-2AA	SL-5AA	SL-8AA	SL-10AA	SL-12AA	SL-15AA	SL-20AA	SL-30AA	SL-40AA	SL-50AA	SL-60AA
制冷量 Refrigeration capacity	kW	5.74	14.87	25	14.87x2	19.36x2	23.89x2	29.6x2	29.6x3	29.6x4	33.84x4	45x4
	Kcal/h	5160	12800	20640	25800	30960	38700	51600	77400	103200	129000	154800
压缩机 输入功率 Compressor Input power	kW	1.86	4.2	6.7	4.2x2	5.43x2	6.43x2	7.87x2	7.87x3	7.84x4	8.95x4	12.4x3
冷冻媒体 类型/Type Refrigerant		R22										
填充量/Filling quantity		R22										
水箱容量 Water tank capacity	L	45	52	100	100	105	145	160	225	225	265	290
蒸发器类型 Evaporator type		盘管式 Serpentine pipe type						壳管式 Shell type				
冷冻水管径 Freezing water pipe		1"	4x1/2"	1.5"	1.5"	1.5"	2"	2"	2.5"	2.5"	3"	3"
冷冻水流量 Freezing water flow rate	L/min	60-100	60-100	140-200	140-200	140-200	250-350	250-350	330-500	500-650	650-800	650-800
	M <sup>3</sup> /h	3.6-6	3.6-6	8.4-12	8.4-12	8.4-12	15-21	15-21	20-30	30-40	40-50	40-50
风扇 类型/Type Fan motor 功率/Power		轴流式风机 Axial flow type blower fan										
	w	129	180x2	250x2	414x2	600x2	780x2	800x2	1750x2	1200x2	1750x3	1200x3
安全保护 Safeguard		高低压保护、压缩机过载保护、水泵过载保护 Protection of high & low pressure, compressor overload, pump overload						高低压保护、压缩机过载保护、水泵过载保护、防冻保护、流量保护 Protection of high & low pressure, compressor overload, pump overload, antifreezing, flow rate				
电源 Power		AC3+N+PE 50/60Hz										
外形尺寸 Dimensions(mm)	L(mm)	880	1340	1580	1740	1740	1920	2070	2420	2520	3020	3500
	L1(mm)	780	1270	1480	1640	1640	1820	1970	2320	2420	2920	3400
	L2(mm)	/	/	/	/	/	200	275	400	400	300	350
	L3(mm)	/	/	/	/	/	1400	1400	1500	1600	2300	2700
	W(mm)	580	750	840	940	940	970	1060	1300	1400	1440	1580
	W1(mm)	142	182	182	223	202	205	220	445	445	425	760
	W2(mm)	310	355	440	455	440	485	520	575	690	685	425
	W3(mm)	/	/	/	/	/	885	1000	1215	1315	1365	1505
H(mm)	1220	1360	1435	1420	1520	1740	1880	2090	2250	2250	2250	
H1(mm)	745	605	605	605	575	740	790	710	710	695	720	
H2(mm)	/	/	/	/	/	1640	1780	1090	2150	2150	2150	
冷冻水进口		B	B	B	B	B	B	B	A	A	A	B
冷冻水出口		A	A	A	A	A	A	A	B	B	B	A
重量 Weight	kg	143	275	325	428	450	578	711	1010	1320	1536	1788

# 水冷式冷水机

## Water-cooled Chiller



### 性能特点 Performance characteristic

- 本系列机器冷却温度为7-35℃，可根据客户需要订制更低的冷却温度；
  - 微电脑控制系统运作，温度精度到±0.1℃；
  - 压缩机与水泵均有过载保护装置，有效延长其使用寿命；
  - 多重保护装置（防冻保护，高低压保护，流量保护），保障系统安全；
  - 水箱采用不锈钢制作，并有保温层，冷冻管路均有保温层，提高制冷效率。
- The device can cool the water temperature ranging from 7 to 35℃.
  - The low cooling temperature can be customized as per customer's needs.
  - The micro computer controls the system running and the temperature can be precise to ±0.1℃.
  - The overload protection device is used for compressor and pump to prolong the service life.
  - The multi protection device (antifreezing protection, high and low pressure protection and flow protection) ensures the system safety.
  - The water tank is made from the stainless steel and has a heat insulation layer. Freezing pipelines have the insulation layer to improve refrigerating efficiency.

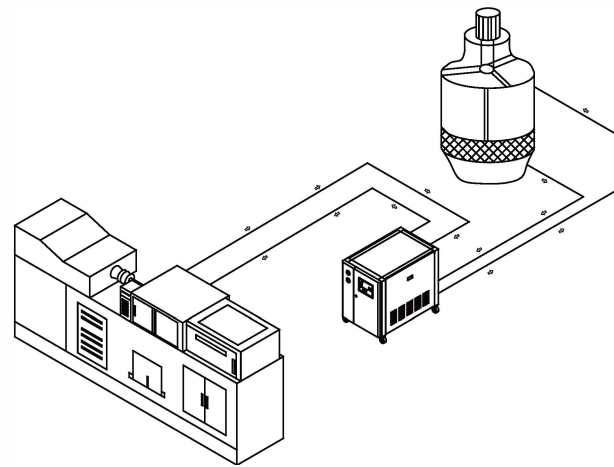
#### 技术说明:

- 1.蒸发器: 进水温度12℃, 出口温度7℃;  
水侧承压: 1.0Mpa.
- 2.冷凝器: 进水温度30℃, 出口温度35℃;  
水侧承压: 1.0Mpa.
- 3.以上参数如有变动, 恕不另行通知, 请以实物为准。

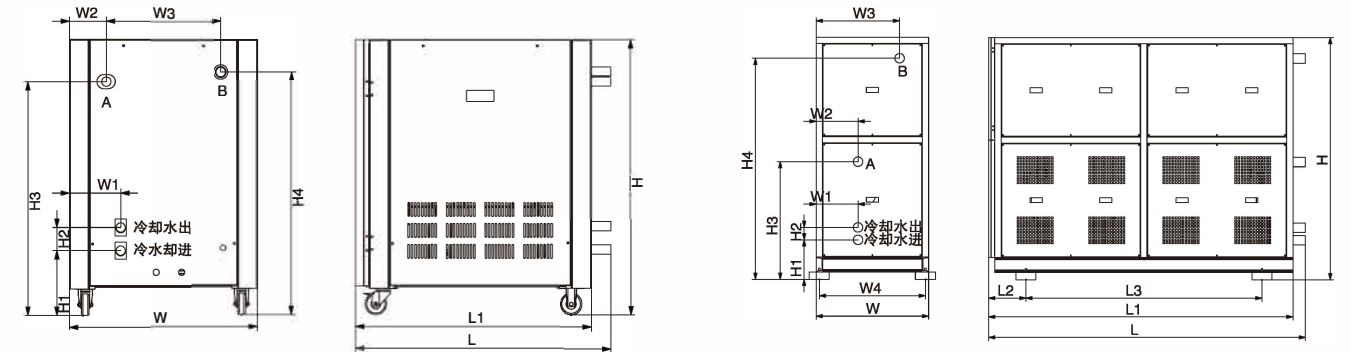
#### Technical Description:

- 1.Evaporator: wate inlet temperature12℃ , outlet watetemperature7℃;  
wate side pressure: 1.0Mpa
- 2.Condenser: wate inlet temperature30℃ , outlet watetemperature35℃;  
wate side pressure: 1.0Mpa
- 3.The above parameters are subject to change without notice.please refer to the actual product

### 安装示意图 Diagram of installation



### 外形尺寸 External dimensions



SL-5W ~ 15W

SL-20W ~ 40W

### 规格表 Specifications

型号 Model		SL-5W	SL-10W	SL-15W	SL-20W	SL-30W	SL-40W
制冷量 Refrigeration capacity	kW	14.87	14.87x2	23.89x2	29.6x2	29.6x3	29.6x4
	Kcal/h	12800	25800	38700	51600	77400	103200
型号 压缩机 Compressor	输入功率 Input power	HP 4.2	4.2x2	6.43x2	7.87x2	7.87x3	7.87x4
冷冻媒体 Refrigerant	类型/Type	R22					
水箱容量 Water tank capacity	L	55	105	120	210	825	825
蒸发器类型 Evaporator Type	盘管式 Serpentine pipe type						
冷冻水管径 Freeze water Pipe		1/2"x4	1.5"	2"	2"	2.5"	2.5"
冷冻水流量 Freeze water flow rate	L/min	60-100	140-200	250-350	250-350	330-500	330-500
	M³/h	4.8	10.2	15	15	20	20
冷凝器 Condenser Type	壳管式 Shell type						
冷却水管径 Cooling water Pipe		1"	1.5"	2"	2"	2.5"	2.5"
冷却水流量 Cooling water flow rate	L/min	110	210	350	350	350	480
	M³/h	7	13	21	21	21	29
安全保护 Safeguard	高低压保护、压缩机过载保护、水泵过载保护 Protection of high & low pressure, compressor overload, pump overload				高压保护、压缩机过载保护水泵过载保护、防冻保护、流量保护 Protection of high & low pressure, compressor overload, pump overload, antifreezing, flow rate		
电源 Power	AC3+N+PE 50/60Hz						
外形尺寸 Dimensions(mm)	L(mm)	940	1550	1300	2100	2600	2600
	L1(mm)	840	1450	1150	1950	2450	2450
	L2(mm)	/	/	/	350	300	300
	L3(mm)	/	/	/	1300	1900	1900
	W(mm)	670	700	800	900	900	900
	W1(mm)	182	445	615	670	335	335
	W2(mm)	130	150	215	220	335	335
	W3(mm)	/	/	/	860	850	850
	W3(mm)	410	355	400	520	670	670
	H(mm)	985	1100	1360	1720	1990	1990
H1(mm)	240	227	300	320	360	360	
H2(mm)	82	95	100	100	100	100	
H3(mm)	740	995	1215	1510	990	990	
H4(mm)	865	995	/	/	1890	1890	
冷冻水进口		B	B	A	A	B	B
冷冻水出口		A	A	B	B	A	A
重量 Weight	kg	186	345	690	752	1050	1220



# 机边粉碎机

## Immediately Recycling Crusher

SG - AAA FET - 2B / C

- 比例阀 Proportional Valve
- 吹风机 Blower
- 中速型 Middle Speed Crusher
- 机器型号 Model
- 粉碎机 Crusher



SG - AAA - 2B / C

- 比例阀 Proportional Valve
- 吹风机 Blower
- 低速型 Low Speed Crusher
- 粉碎机 Crushe



### 性能特点 Performance characteristic

#### 中速粉碎机系列

本中速粉碎机适用于塑胶成型机旁配合机械手或皮带输送机将机边水口料或少量不良品粉碎及回收。其具备转速低，传动扭矩大，噪音低，产生粉尘少，操作简便的优点。

注：2B配备风机送料  
2C配备两料比例阀

#### Middle Speed Crusher series

The device is applicable to the Injection molding machine besides, matching with the Extruding machine or the Belt conveyor to crush the runners or a small quantity of defective products. With feature of low rotational speed, low noise, less dust and convenient operation.

Note: 2B series equipped with blower feeding device  
2C series equipped with proportional valve

#### 慢速粉碎机系列

本慢速粉碎机适用于于坚硬及韧性较强的水口料与少量废料粉碎及回收。采用齿啃式刀具搭配切断刀之设计原理，可以达到无粉尘的粉碎效果。该机还配备有多重保护装置，操作安全。

#### Low Speed Crusher series

The device is applicable to crushing hard and thick materials and a small quantity of waste. Principle design of teeth cutters and staggered blades makes least dusts produced in the grinding process. The multiple security protection devices ensure high safety grade.

#### 说明:

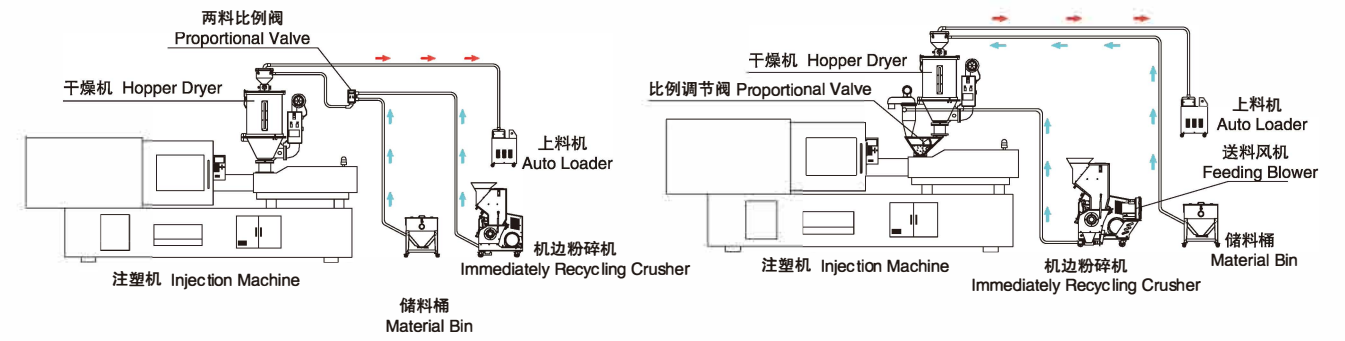
1. 标准配备带储料箱
2. 选购风机送料装置后边加注2B
3. 选购比例阀后边加注2C

#### Explanation:

1. The standard equipment is with material storage box.
2. If the model to be chosen with loader, it must be added "2B" behind.
3. If the model to be chosen with proportional valve, it must be added "2C" behind.

产品规格若有变更，恕不另行通知。 We reserve the right to change specifications without prior notice.

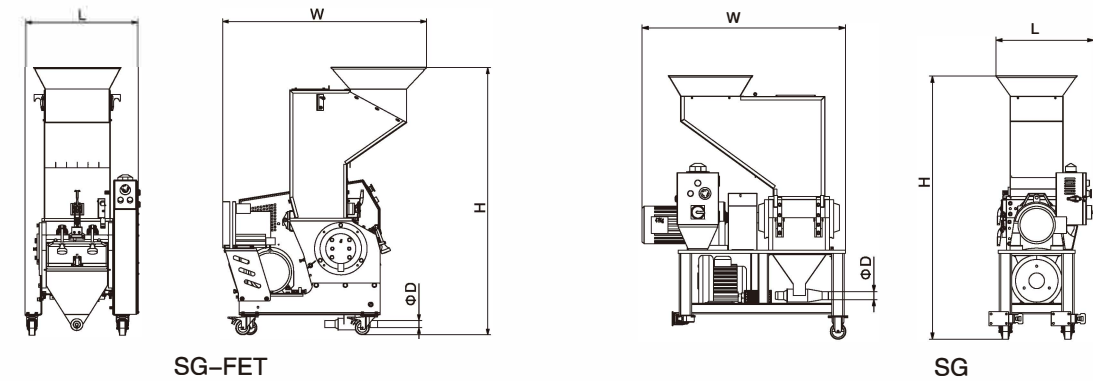
### 安装示意图 Diagram of installation



机边粉碎机 SG-\*\*\*\*-2C  
Immediately Recycling Crusher

机边粉碎机 SG-\*\*\*\*-2B  
Immediately Recycling Crusher

### 外形尺寸 External dimensions



型号 Model	SG-180FET-2B/2C	SG-240FET-2B/2C	SG-300FET-2B/2C	SG-360FET-2B/2C	SG-420FET-2B/2C	SG-2425-2B/2C	SG-2838-2B/2C	SG-3242-2B/2C	SG-3844-2B/2C
粉碎室口径(mm) Chamber Calibre	210x221	270x221	330x270	390x270	450x270	250x240	305x315	410x315	440x380
破碎能力(Kg/H) Crush Capacity	30-50	50-80	50-100	80-130	100-150	15-20	20-25	25-30	35-40
转刀/定刀(Pcs) Rotating/Fixed Blade	9/2	12/2	15/2	18/2	21/2	/	/	/	/
转速(rpm) Rotational speed	280					/	24		
电机功率 Motor(Kw)	1.5	1.5	2.2	2.2	3	1.5	2.2	2.2	3
风机功率	2B		0.55			0.55			
Blower	2C		/			/			
粉碎回转直径 Diameter of crushing rotation	Φ190	Φ225	Φ225	Φ225	Φ225	/	/	/	/
筛网孔径 diameter of aperture	Φ6	Φ6	Φ6	Φ6	Φ6	/	/	/	/
L(mm)	484	539	599	659	719	900	1100	1200	1300
W(mm)	1010	1042	1109	1134	1173	450	500	500	560
H(mm)	1283	1283	1391	1432	1452	1130	9200	1230	1380
Φ(D)	Φ38					Φ38			
重量(kg) Weight	177	216	256	300	350	230	300	320	490

产品规格若有变更，恕不另行通知。 We reserve the right to change specifications without prior notice.

# 色母混色机

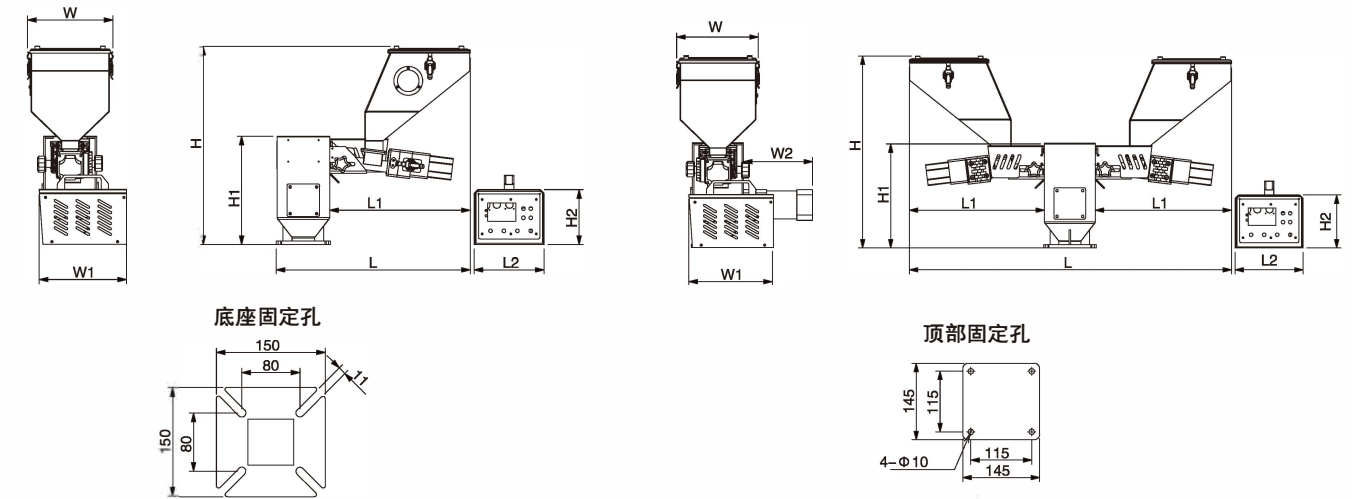
## Color Dose Mixer

SCM - AAA S M D

- 双段 Double Stages
- 搅拌 Mixing
- 电机型式 Motor
- 机器型号 Model
- 色母机 Color Dose Mixer



### 外形尺寸 External dimensions



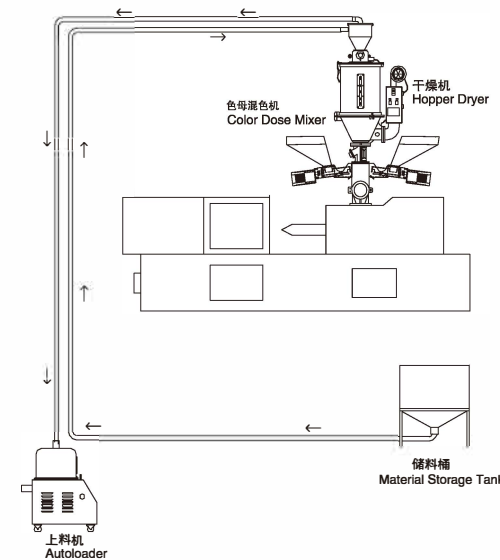
### 规格表 Specifications

型号 Model	SCM-12S(M)	SCM-14S(M)	SCM-16S(M)	SCM-12SD(M)	SCM-14SD(M)	SCM-16SD(M)
输出量(Kg/hr) Out put	0.3~3	0.5~5	0.8~10	(0.3~3)x2	(0.5~5)x2	(0.8~10)x2
送料马达功率(W) Feeding motor power	150	150	150	300 (150x2)	300 (150x2)	300 (150x2)
送料马达转速(rpm) Feeding motor rotary speed	1-1000	1-1000	1-1000	1-1000	1-1000	1-1000
搅拌马达功率(W) Mixing motor power	90	90	90	90	90	90
搅拌马达转速(rpm) Mixing motor rotary speed	1-3000	1-3000	1-3000	1-3000	1-3000	1-3000
减速比 Reduction ratio	1:30	1:30	1:30	1:30	1:30	1:30
储料桶(L) Materials barrel	10	10	10	10x2	10x2	10x2
螺杆外径(mm) Screw diameter	12	14	16	12x2	14x2	16x2
外型尺寸 External Dimensions						
L(mm)	535	535	535	785	785	785
L1(mm)	250	250	250	250	250	250
L2(mm)	205	205	205	205	205	205
W(mm)	240	240	240	240	240	240
W1(mm)	240	240	240	240	240	240
W2(带M时)(mm)	200	200	200	200	200	200
H(mm)	560	560	560	560	560	560
H1(mm)	300	300	300	300	300	300
H2(mm)	162	162	162	162	162	162
重量 Weight(kg)	28	28	28	46	46	46

### 性能特点 Performance characteristic

- 具有数据的永久记忆及存储功能;
  - 使用直流无刷式马达, 无需保养;
  - 采用微电脑控制, 智能化精确计算;
  - 可同时满足外部信号输入的要求;
  - 螺杆采用镀铬处理, 经久耐用;
  - 模块式的装配结构, 拆装方便, 易于清理及互换;
  - 单色色母机的标准底座配备三管料斗磁罐, 可吸附金属物, 防止成型机螺杆损坏;
  - 单色色母机可选配搅拌器, 并需同时选购具有搅拌控制功能的控制箱搭配使用, 使混料均匀;
  - 配备搅拌器的底座为双色色母机的标准配备, 它可以满足客户双重混料需求;
  - 主料斗为双色色母机的标准配备, 单色色母机可选配。
- With the function of permanent memory and storage.
  - Use of brushless DC-motor, no need for maintenance.
  - Use of micro-computer control, intelligente to calculate accurately.
  - Can satisfy the requirement of external signal input at the same time.
  - The screw is handled with chrome to be durable.
  - The modular structure is easy to assemble&disassemble, clean and exchange.
  - Single color dose mixer's standard base equips hopper magnets to attract metal to protect the destorying of screw in injection machines .
  - The stirrer is optinal for single color does mixer, and should matched with stirrer controller to mix the material even.
  - The double color dose mixer equips base with stirrer, can satisfy the request of mixing double materials .
  - The main material hopper is standard equipment for double color dose mixer, optional for single color dose mixer.

### 安装示意图 Diagram of installation



# 混色机

Mixer

SSM - AAA

机器型号 Model

螺杆混色机 Screw Type



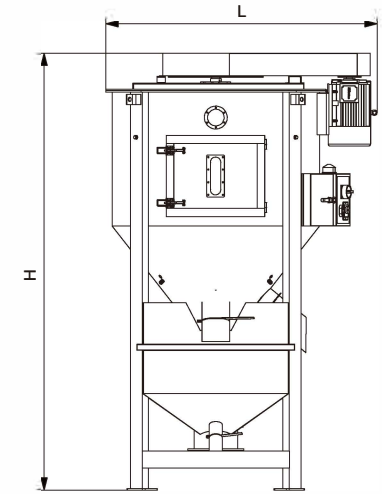
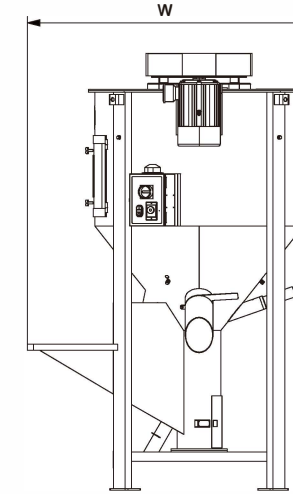
SSB - AAA

机器型号 Model

立式混色机 Vertical Type



## 外形尺寸 External dimensions



## 性能特点 Performance characteristic

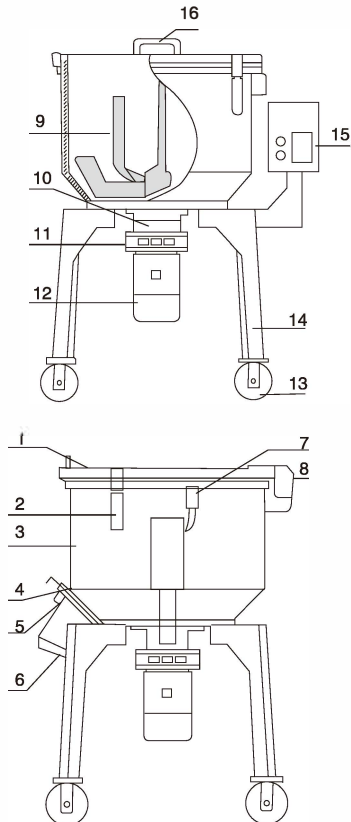
- 双层不锈钢浆，立体设计，搅拌快速，均匀；
- 可拆式浆叶，不锈钢搅拌室，清洗方便；
- 电机直接驱动，搅拌效率高；
- 直立式设计，占地少，卸料容易；
- 自动停止装置，可设定0-30分钟自动停止；
- 多重安全保护装置，确保操作者安全。

- Double-layer stainless steel, vertical design fast and even stirring.
- Dismountable beater, stainless steel stirring room to facilitate cleaning.
- Directly driven by the motor and high stirring efficiency.
- Vertical design, less land occupied, easy dismounting.
- Automatic stop device, automatic stop in 0-30 minutes can be set.
- Multi safety protection device to ensure the operator safe.

## 规格表 Specifications

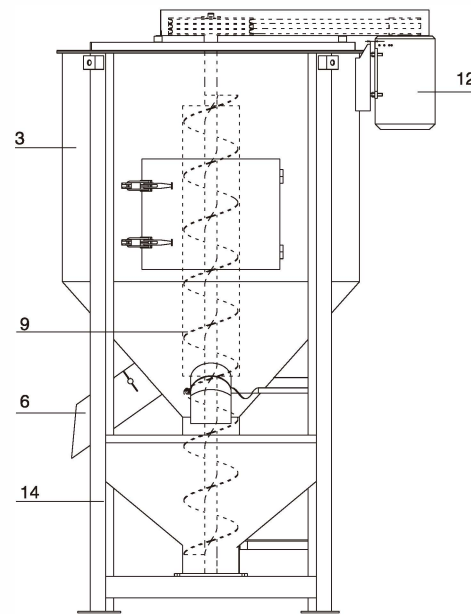
型号 Model	电机功率 Motor Power (Kw)	装料量 Capacity (kg)	电源 Power (v)	搅拌方式 Mix Type	外型尺寸 External Dimensions (L×W×H)	重量 Weight (kg)
SSB-50	1.5	50	AC3 50/60HZ	浆片式 Vane Type	830×830×1120	130
SSB-100	3	100	AC3 50/60HZ		1000×1000×1280	190
SSB-150	4	150	AC3 50/60HZ		1130×1130×1380	250
SSB-200	5.5	200	AC3 50/60HZ		1200×1200×1500	285
SSM-300	1.5	300	AC3 50/60HZ	螺杆式 Screw Type	1310×1360×2100	319
SSM-500	2.2	500	AC3 50/60HZ		1450×1450×2260	362
SSM-1000	5.5	1000	AC3 50/60HZ		1580×1380×3100	447
SSM-1500	5.5	1500	AC3 50/60HZ		1890×1680×3470	532
SSM-2000	5.5	2000	AC3 50/60HZ		2000×2000×3500	617

## 安装示意图 Diagram of installation



### 主要零部件名称 The main parts

- 1桶盖 Cover
- 2把手 Handle
- 3桶体 Barrel
- 4出料抽板 Material Strobe
- 5定位销 Localizer Screw
- 6出料口 Material Outlet
- 7安全开关 Safety Switch
- 8合页 Button
- 9浆叶 Beater
- 10黄油嘴 Spile
- 11减速机 Reducer
- 12电机 Motor
- 13脚轮 Truckle
- 14机架 Frame
- 15控制箱 Control Box
- 16拉手 Handle

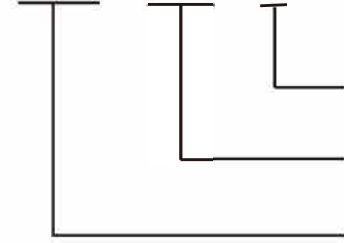


# 称重拌料混合机

## Gravimetric Dosing and Mixing Unit

物料混合系列  
Dosing & Mixing

SWH - AAA - B



计量料斗数量 Hopper Quantity

机器型号 Model

称重拌料混合机  
Gravimetric Dosing and Mixing Unit



### 性能特点 Performance characteristic

SWH系列适用于塑胶成型中需要多种原料按重量比例作精准称重拌料的场合，精度范围控制在±0.2%；采用日本欧洲先进的系统模块，具有自动校准、程序补偿、记录报警、配方存储等功能；安装方式分为地面型和机台型。

可选配移动底架+储料桶、气动放料阀、阻旋式料位计、吸料盒。

SWH series is applicable to the situation that some kinds of material need accurate weighing and mixing by proportional when plastic injection, precision control within ±0.2%；Use of Japanese,Europe advanced system module, with the function of automatic calibration, program compensation, alarm recording, formula storage, etc. Two type Installation: on ground type and on machine type.

Movable frame, material hopper, pneumatic discharge valve, damped rotation type level indicator and suction box are optional.

### 规格表 Specifications

型号 Model	计量料斗数量 Number of dosing hopper	计量料斗容量(L) Volume of dosing hopper	最大产能 The max. capacity	色母粒占添加剂比例 Dosing range additive percentage	拌料马达(W) Blender motor	压缩空气 kgf/cm <sup>2</sup> Compressed air	外型尺寸 External Dimensions (L x W x H)
SWH-100	4	20Lx4	100	0.5-10	200	5-6	640x640x1400
	3	20Lx3	110				
	2	20Lx2	120				
SWH-200	4	30Lx4	200	0.5-10	200	5-6	770x770x1700
	3	30Lx3	220				
	2	30Lx2	240				
SWH-500	4	50Lx4	500	0.5-10	200	5-6	900x950x1900
	3	50Lx3	550				
	2	50Lx2	600				
SWH-700	6	45Lx6	640	0.5-10	200	5-6	1050x1050x1900
	5	45Lx5	720				
	4	50Lx4	800				
	3	50Lx3	880				
SWH-800	2	50Lx2	960	0.5-10	200	5-6	1100x1100x2420
	8	65Lx8	600				
	7	65Lx7	700				
	6	65Lx6	800				
	5	65Lx5	900				
	4	90Lx4	1000				
	3	90Lx3	1100				
2	90Lx2	1200					

产品规格若有变更，恕不另行通知。We reserve the right to change specifications without prior notice.

# 选购附件系列

## Optional Spare Parts Series

**SML 斯曼尔**  
www.nb-sml.com  
sales10@nb-sml.com

选购附件系列  
Optional Spare Parts Series



混色机  
Mixer



储料箱  
Material bin



磁力底座  
Magnetic Base



送料除尘系统  
Blower feeding & dust separator system



Pf. 码模夹  
Pf. series Mould Clamp



Pa. 多变式码模夹  
Pa. series Mould Clamp



Pc. 平板式码模夹  
Pc. series Mould Clamp



Pr. 可调式码模夹  
Pr. series Mould Clamp



分离集尘器  
Loader Dust Collector



L型脚架  
L-Frame



Sc. 型磁力架  
Sc. Hopper Magnet



Scc. 型强力磁力架  
Scc. Strong Magnet

产品规格若有变更，恕不另行通知。We reserve the right to change specifications without prior notice.